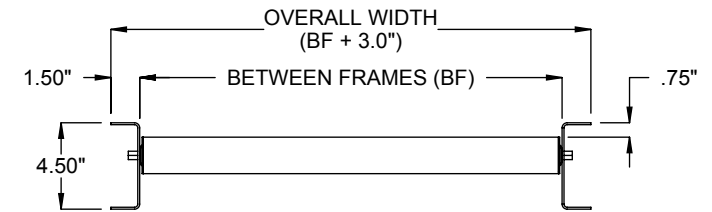
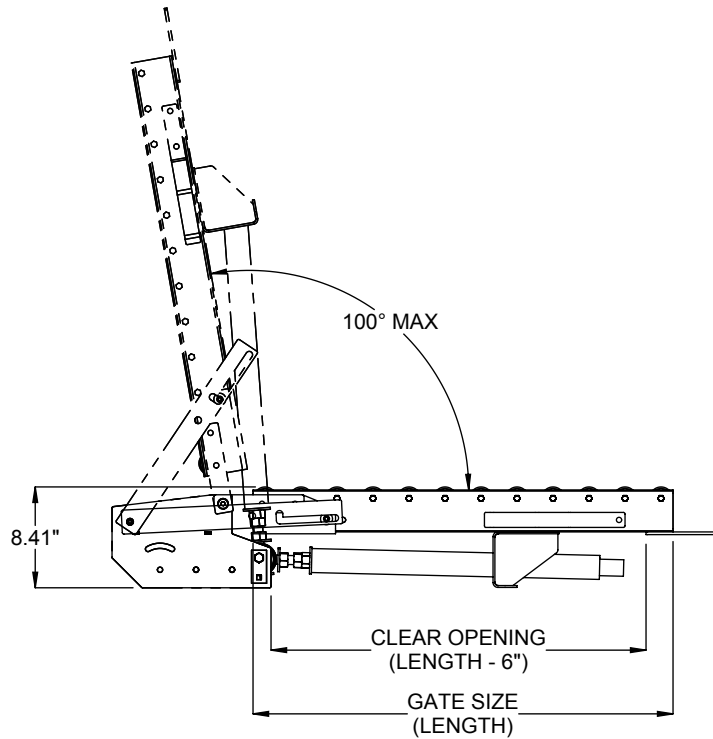


FRAME OPTIONS:



F38 CHANNEL, 4-1/2"x1-1/2"x12ga



SPECIFICATIONS

BETWEEN FRAMES: 6" - 43"	LENGTH: 36", 42", 48"
ROLLER CENTERS: 2.25", 3", 4.5", 6"	
ROLLERS: 1.9" dia., with 7/16" hex cold rolled steel axles, spring retained. Standard HS1912 A20 bearings, oiled 135 lbs., 12ga roller. Standard HS1916 A15 bearings, oiled 300 lbs., 16ga roller.	
FRAMES: Standard F97 set high 3-1/2" x 1-1/2" x 12ga formed steel channel. Optional F38 set low 4-1/2" x 1-1/2" x 12ga.	
ROLL COVERS: Standard carbon steel. Optional roll covers include Orange Polyurethane, 1/8" wall or galvanized tubes.	
COUPLINGS: Can be connected to the same model conveyor with matching frame option and matching between frame dimension.	
FRAME FINISH: Standard finish is OSHA safety blue powder. Optional colors include green, beige, gray, orange, black and yellow.	

Model: HS1912, HS1916 - Spring Assisted Hinge Gate, 1.9 diameter roller