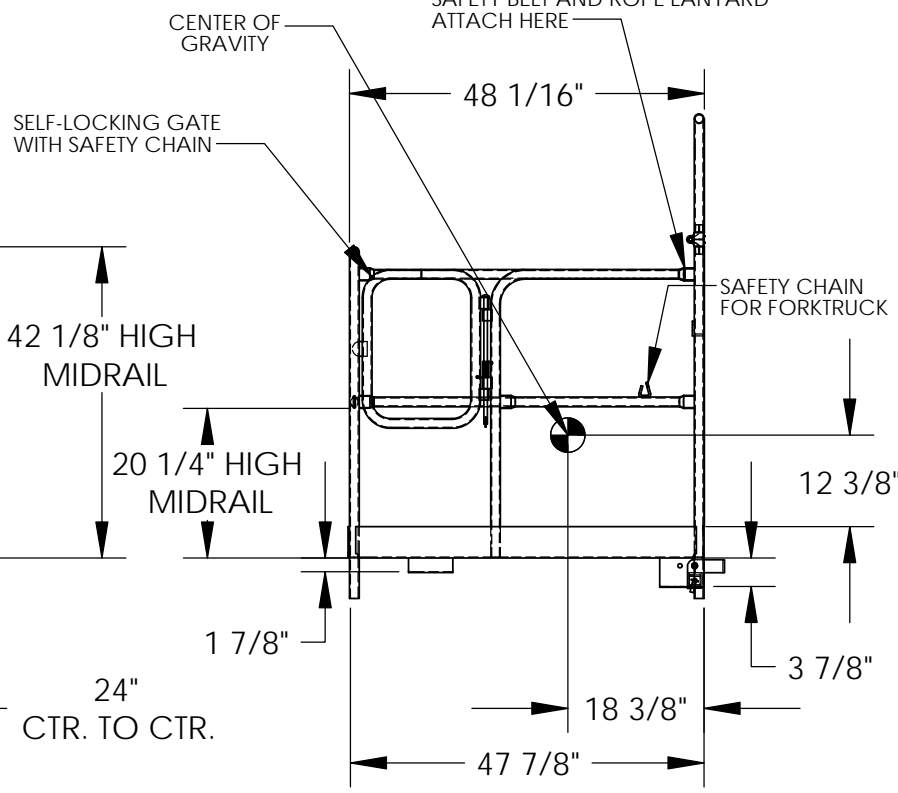
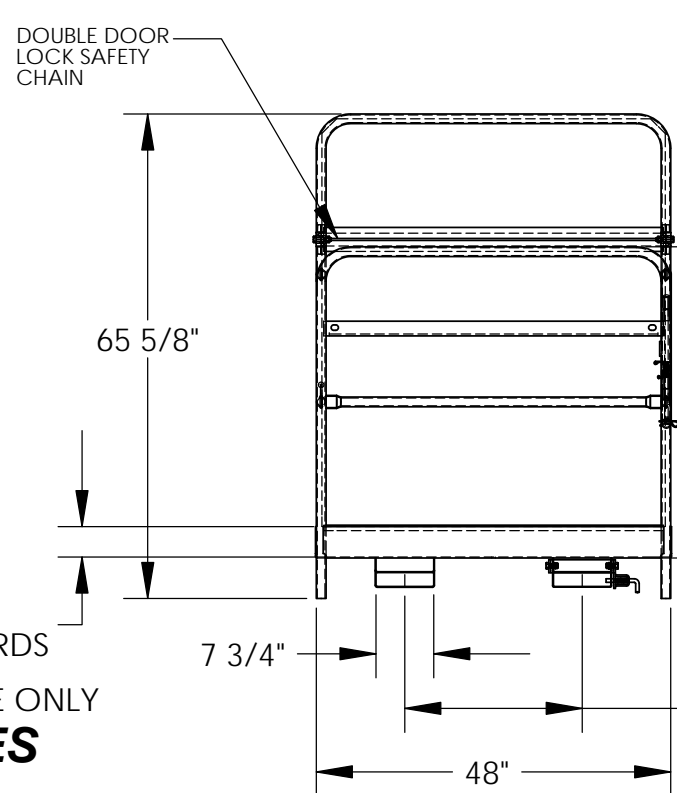
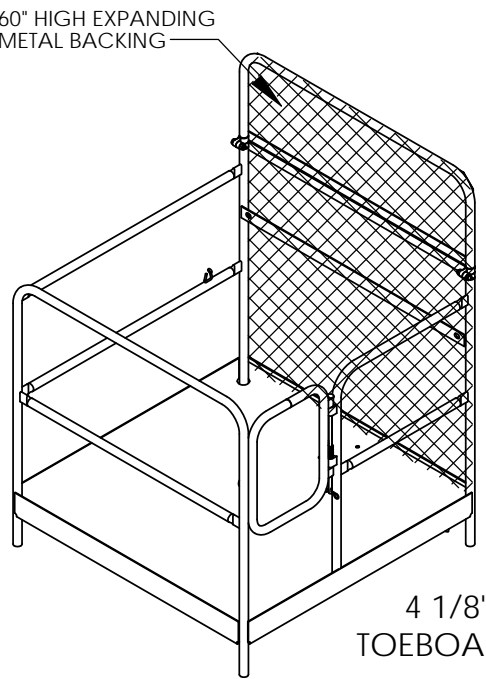


# LOW BACK WORK PLATFORM, WP-4848

\*\*\* ANY ADDITIONS, DELETIONS, OR OMISSIONS MUST BE CORRECTED ON THIS DRAWING AS THIS DRAWING WILL BE CONSIDERED ALL INCLUSIVE \*\*\*

ALL GRAPHICS PROVIDED ARE FOR REFERENCE ONLY. IF CERTAIN DIMENSIONS ARE CRITICAL PLEASE VERIFY THOSE DIMENSIONS WITH YOUR SALESPERSON



3D VIEW SHOWN FOR REFERENCE ONLY

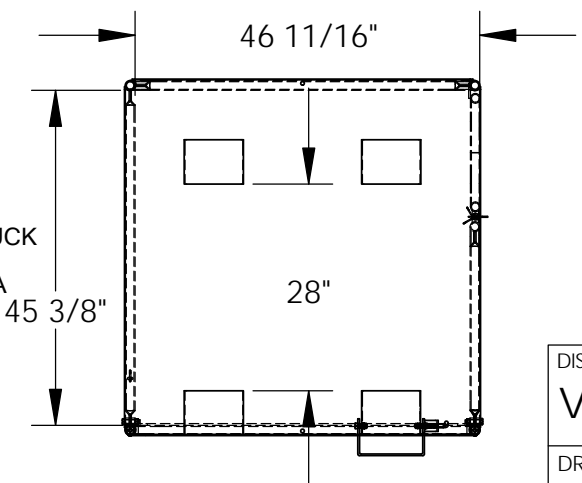
## STANDARD FEATURES

- MODEL NUMBER IS WP-4848
- CAPACITY IS 1,000 LBS. (EVENLY DISTRIBUTED LOAD)
- OVERALL WIDTH IS 48"
- USABLE WIDTH IS 46 11/16"
- OVERALL LENGTH IS 48"
- USABLE LENGTH IS 45 3/8"
- 42" HIGH MIDRAILS WITH 21" MIDRAIL AND 4" TOEBOARD
- SELF-LOCKING GATE WITH SAFETY CHAIN
- AUTOMATIC FORK LOCK
- 60" HIGH EXPANDED MESH BACKING
- USABLE FORK POCKET HEIGHTS: 3 7/8" REAR, 1 7/8" FRONT
- USABLE FORK POCKET WIDTH: 7 3/4"
- SAFETY CHAIN TO SECURE WORK PLATFORM TO FORKTRUCK
- UNIT IS PAINTED BLUE
- MANUFACTURED TO MEET OUR INTERPRETATION OF OSHA
- WEIGHT IS 275 LBS.

## SPECIAL FEATURES

- SAFETY BELT WITH ROPE LANYARD
- EMERGENCY STOP BUTTON
- 4" CASTERS

NEVER EXCEED LOAD CENTER RATING PER FORK TRUCK MANUFACTURER'S GUIDELINES.  
DO NOT USE THIS FORK TRUCK ATTACHMENT IF LOAD WILL EXCEED FORK TRUCK MANUFACTURER'S LOAD CENTER RATING.



EFFECTIVE THICKNESS: LESS THAN 1"

**ALL SPECIAL UNITS ARE NON-RETURNABLE**

<b>APPROVAL</b>	I, the undersigned, hereby approve this print. This includes my approval of design & dimensions	
	<input type="checkbox"/> As drawn	<input type="checkbox"/> As marked
	Signed: _____	Date: _____
	<b>LEAD TIME WILL START UPON RECEIPT OF SIGNED APPROVAL DRAWING</b>	

DISTRIBUTOR'S NAME: <b>VESTIL MANUFACTURING</b>		P.O.# X
DRAWN BY: C. WOLF		W.O.# X
DATE: 8/31/06	SCALE: 1:26	SALES: X
REFERENCE: X	QUOTE # X	FILE NAME: 14-007-003