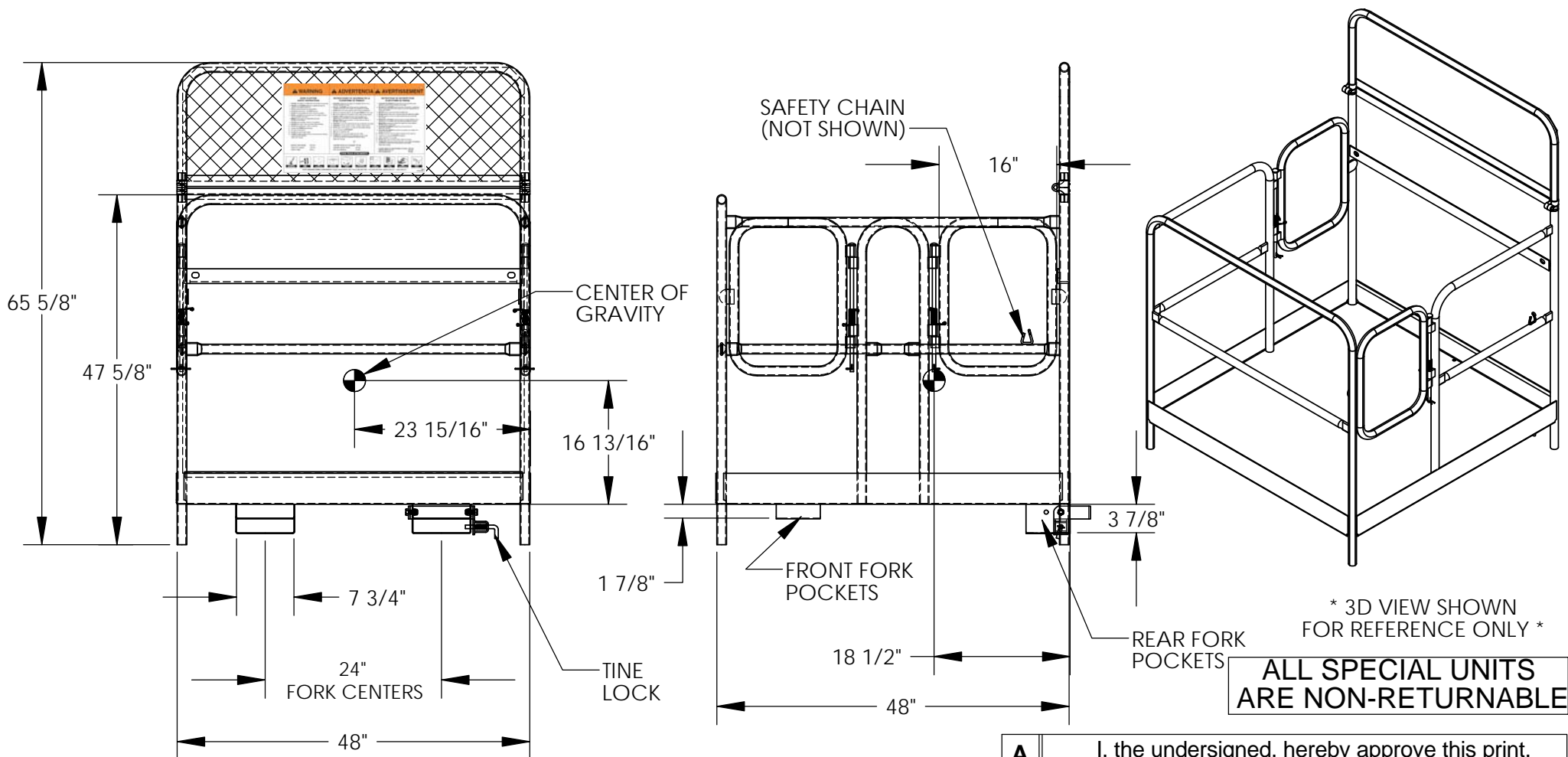


SIDE DUAL DOOR WORK PLATFORM - WP-4848-DD

APPROXIMATE WEIGHT IS: 278.32 lbs.



* 3D VIEW SHOWN FOR REFERENCE ONLY *

ALL SPECIAL UNITS ARE NON-RETURNABLE

STANDARD FEATURES

- MODEL NUMBER: WP-4848-DD
- CAPACITY IS 1,000 POUNDS (EVENLY DISTRIBUTED LOAD)
- PLATFORM WIDTH: 48"
- PLATFORM LENGTH: 48"
- DOOR WIDTH: 16"
- 42" HIGH HANDRAILS WITH 21" MIDRAIL AND 4" TOEBOARD
- 60" HIGH EXPANDED MESH BACKING
- 7 3/4" x 3 7/8" I.D. USABLE FORK POCKETS IN REAR
- 7 3/4" x 1 7/8" I.D. USABLE FORK POCKETS IN FRONT
- SAFETY CHAIN TO SECURE WORK PLATFORM TO FORK TRUCK
- UNIT IS PAINTED BLUE
- MANUFACTURED TO MEET OUR INTERPRETATION OF OSHA

NEVER EXCEED LOAD CENTER RATING PER FORK TRUCK MANUFACTURER'S GUIDLINES.
DO NOT USE THIS FORK TRUCK ATTACHMENT IF LOAD WILL EXCEED FORK TRUCK MANUFACTURER'S LOAD CENTER RATING.

SPECIAL FEATURES

NONE

APPROVAL	I, the undersigned, hereby approve this print. This includes my approval of design & dimensions	
	[] As drawn	[] As marked
	Signed: _____ Date: _____	
	LEAD TIME WILL START UPON RECEIPT OF SIGNED APPROVAL DRAWING	

DISTRIBUTOR'S NAME: VESTIL MANUFACTURING		P.O.# X
DRAWN BY: KY		W.O.# X
DATE: 8/1/05	SCALE: 1:20	SALES: X
REFERENCE: X	QUOTE # X	FILE NAME: 14-007-076