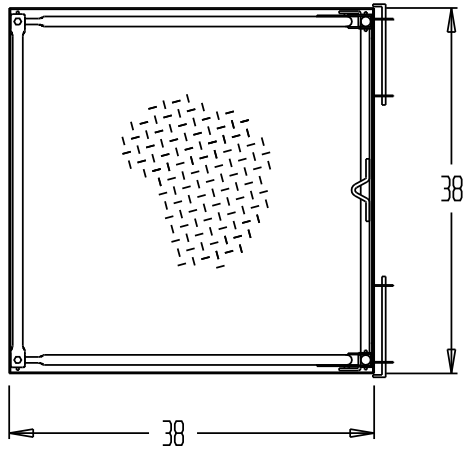


FOLD DOWN WORK PLATFORM, WP-3737-FD-84B

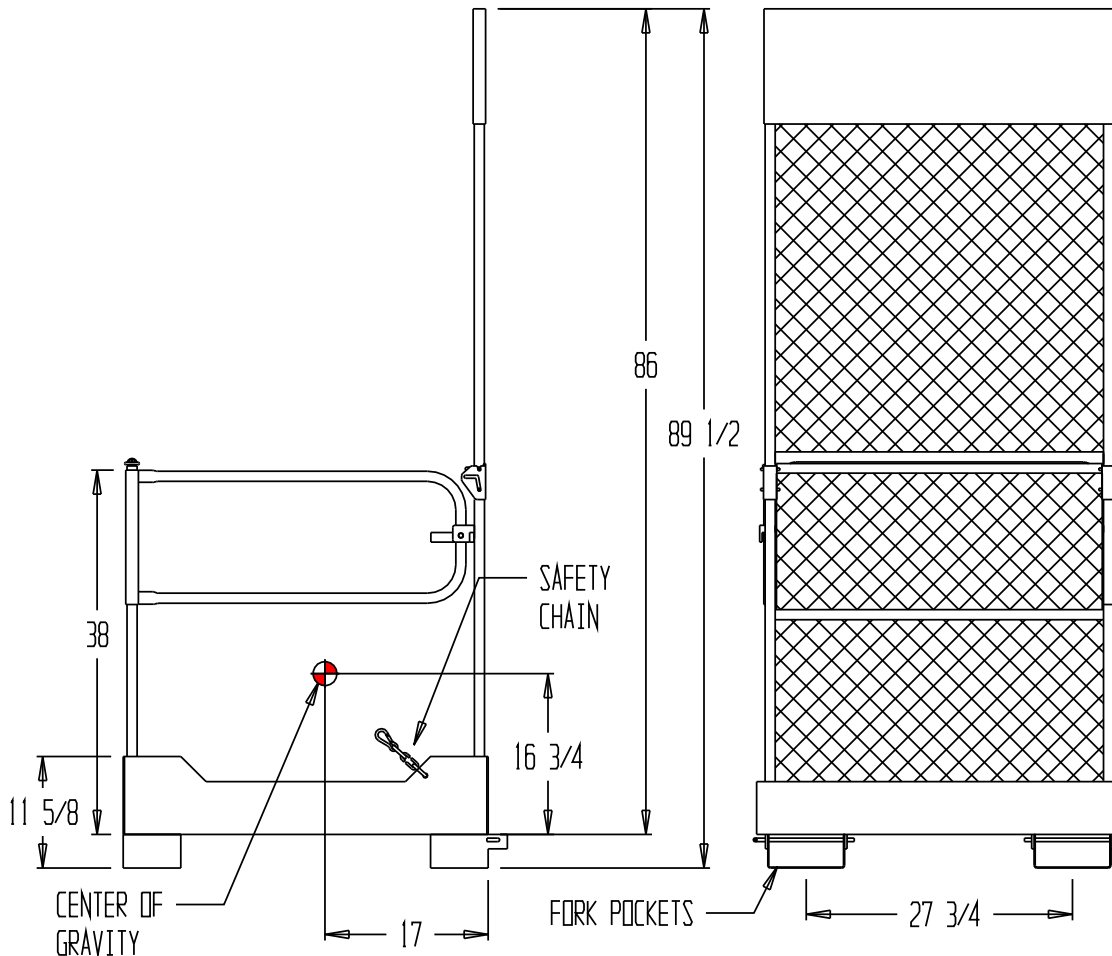


STANDARD FEATURES

MODEL NUMBER: WP-3737-FD-84B
 CAPACITY: 600 LBS.
 WITH 84" HIGH BACK EXTENSION
 OVERALL SIZE: 38" W x 38" L x 89" H
 PLATFORM SIZE: 38" W x 38" L
 USABLE FORK POCKETS: 7 7/8" x 3 3/8"
 FORK POCKET CENTERS: 27 3/4"
 STANDARD TINE LOCK & SAFETY CHAIN
 OVERALL FOLD DOWN SIZE: 38" W x 38" L x 11 5/8" H

SPECIAL FEATURES

NONE



Any additions, deletions or omissions must be corrected on this drawing, as this drawing will be considered all inclusive.

All graphics provided are for reference only. If certain dimensions are critical please verify those dimensions with your salesperson.

A P P R O V A L
 I, THE UNDERSIGNED, AGREE THAT THE PRODUCT AS REPRESENTED SATISFIES DESIGN & DIMENSION REQUIREMENTS. I ALSO ACKNOWLEDGE MY DUTY TO CONFIRM PRODUCT & INSTALLATION COMPLIANCE WITH ALL APPLICABLE FEDERAL, STATE AND LOCAL REGULATIONS & STANDARDS.
ALL SPECIAL UNITS ARE NON-RETURNABLE
 As drawn As marked
 Signed: _____ Date: _____
 LEAD TIME WILL START UPON RECEIPT OF SIGNED APPROVAL DRAWING

DISTRIBUTOR'S NAME: VESTIL MANUFACTURING		P.O.#: X
DRAWN BY: BJW		DATE: 2-16-11
REFERENCE: X	SCALE: 1:20	SALES: X
QUOTED LEADTIME: X	QUOTE #: X	DRWG./FILE NAME: 14-007-087