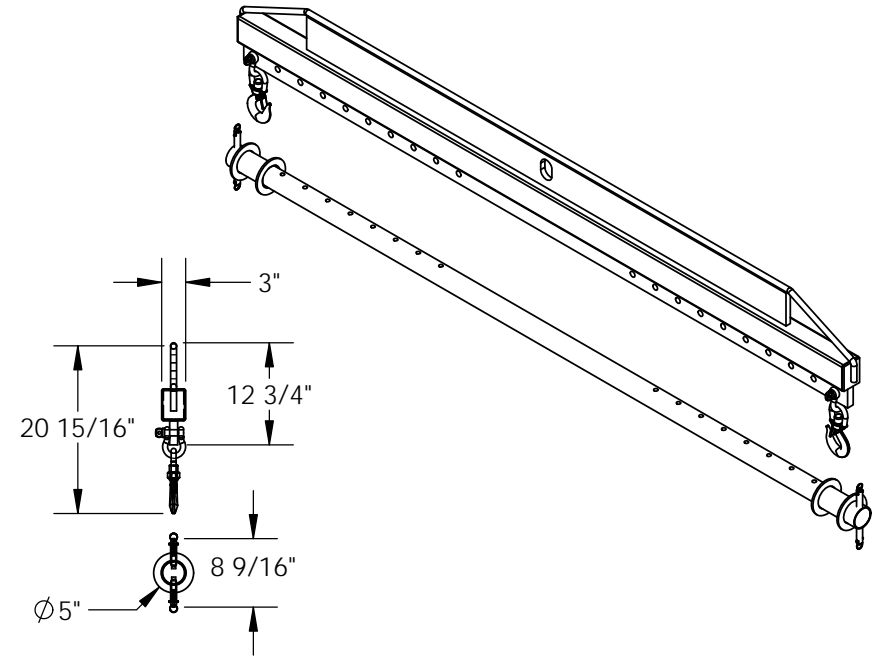
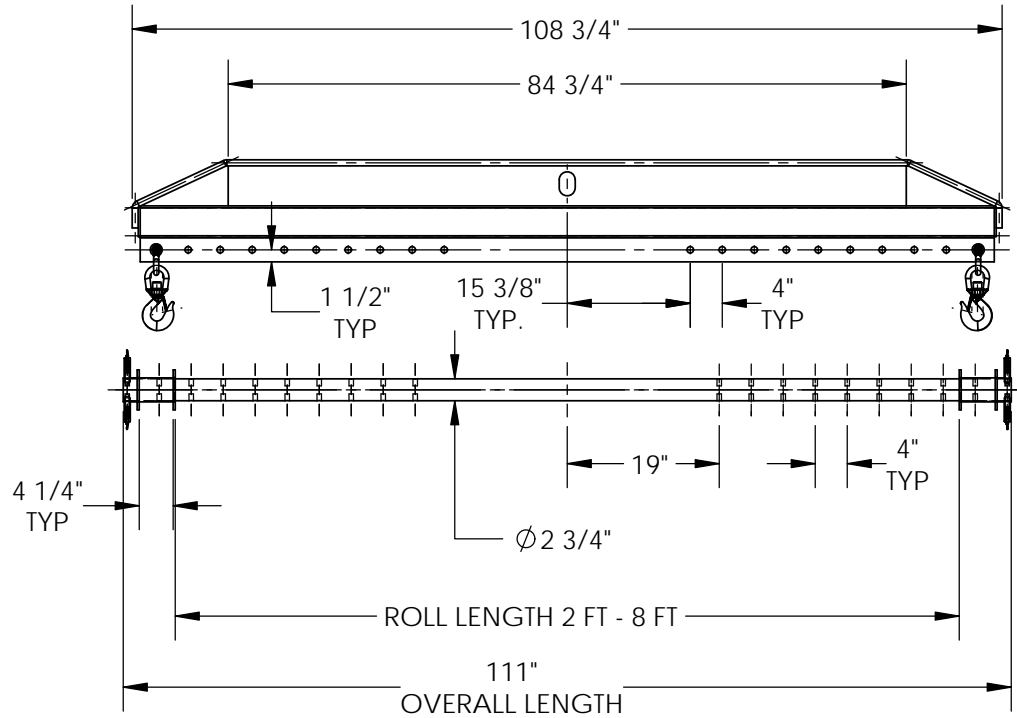


SPREADER BEAM ROLL LIFTER - SBRL-80

APPROX WEIGHT: 486.37 lbs.
 DOES NOT INCLUDE WEIGHT OF POWER OR PACKAGING!!!

*** ANY ADDITIONS, DELETIONS, OR OMISSIONS MUST BE CORRECTED ON THIS DRAWING AS THIS DRAWING WILL BE CONSIDERED ALL INCLUSIVE ***

ALL GRAPHICS PROVIDED ARE FOR REFERENCE ONLY. IF CERTAIN DIMENSIONS ARE CRITICAL PLEASE VERIFY THOSE DIMENSIONS WITH YOUR SALESPERSON



STANDARD FEATURES

MODEL NUMBER IS SBRL-80
 OVERALL LENGTH IS 111"
 OVERALL WIDTH IS 5"
 OVERALL HEIGHT IS 21 13/16"
 UNIFORM CAPACITY IS 8,000 LBS.
 MAX. ROLL LENGTH IS 8'
 CORE ROD IS 2 3/4" DIAMETER
 WIDTH IS ADJUSTABLE ON 4" INCREMENTS.

SPECIAL FEATURES

NONE

DIMENSION TOLERANCE $\pm 1/4$ "

APPROVAL

I, THE UNDERSIGNED, AGREE THAT THE PRODUCT AS REPRESENTED SATISFIES DESIGN AND DIMENSION REQUIREMENTS. I ALSO ACKNOWLEDGE MY DUTY TO CONFIRM PRODUCT AND INSTALLATION COMPLIANCE WITH ALL APPLICABLE FEDERAL, STATE AND LOCAL REGULATIONS AND STANDARDS.
ALL SPECIAL UNITS ARE NON-RETURNABLE
 As drawn As marked

Signed: _____ Date: _____

LEAD TIME WILL START UPON RECEIPT OF SIGNED APPROVAL DRAWING

DISTRIBUTOR'S NAME:		P.O.#
VESTIL MANUFACTURING		X
DRAWN BY:	DATE:	W.O.#
RPS	09/26/2012	X
REFERENCE:	SCALE:	SALES:
X	1:24	X
QUOTED LEAD TIME:	QUOTE #	FILE NAME:
X	X	08-007-251