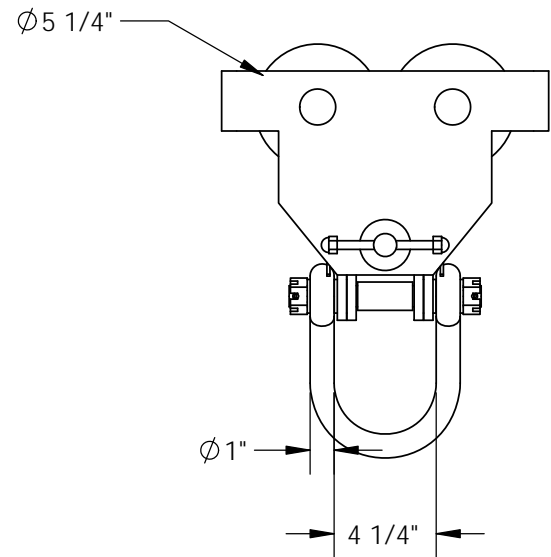
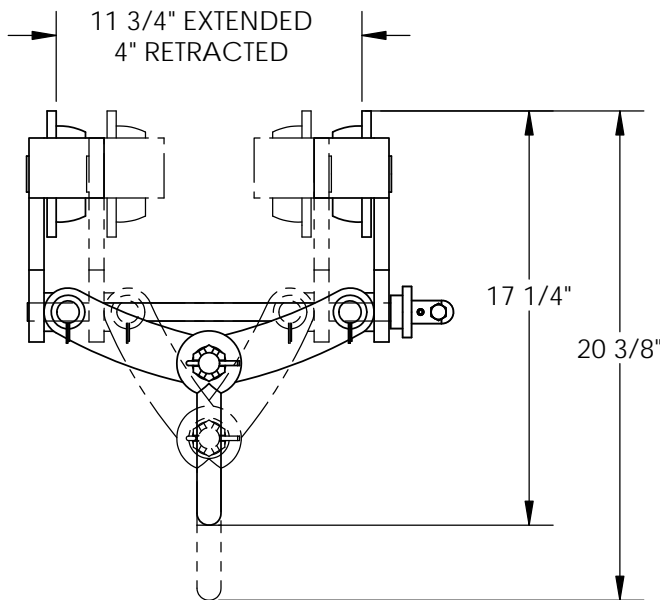
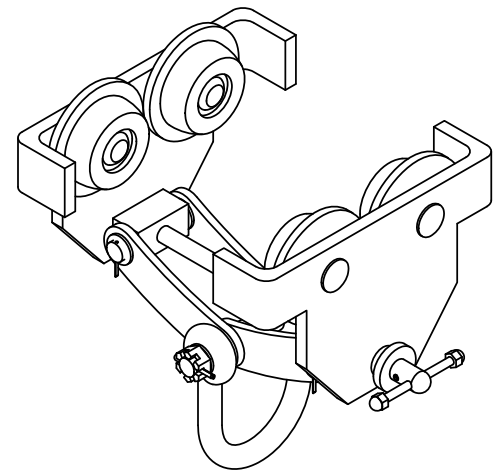
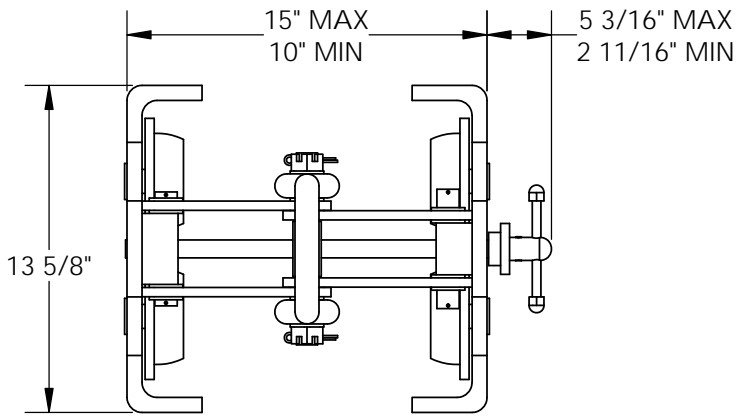


MODEL NAME - QIT-12

APPROX WEIGHT: 78.53 lbs.
 DOES NOT INCLUDE WEIGHT OF POWER OR PACKAGING!!!

ANY ADDITIONS, DELETIONS, OR OMISSIONS MUST BE CORRECTED ON THIS DRAWING AS THIS DRAWING WILL BE CONSIDERED ALL INCLUSIVE



ALL GRAPHICS PROVIDED ARE FOR REFERENCE ONLY. IF CERTAIN DIMENSIONS ARE CRITICAL PLEASE VERIFY THOSE DIMENSIONS WITH YOUR SALESPERSON

STANDARD FEATURES

- MODEL NUMBER IS QIT-12
- FITS BEAM FLANGE WIDTH OF 4" TO 11 3/4"
- HEADROOM IS 13.875"
- OVERALL WIDTH IS 13 5/8"
- OVERALL LENGTH IS 17 11/16"
- OVERALL HEIGHT IS 20 3/8" MAX AND 17 1/4" MIN
- UNIFORM CAPACITY LOAD IS 12,000 LBS
- POWDER COATED BLUE
- 4 1/4" SHACKLE

SPECIAL FEATURES

NONE

A P P R O V A L	I, THE UNDERSIGNED, AGREE THAT THE PRODUCT AS REPRESENTED SATISFIES DESIGN AND DIMENSION REQUIREMENTS. I ALSO ACKNOWLEDGE MY DUTY TO CONFIRM PRODUCT AND INSTALLATION COMPLIANCE WITH ALL APPLICABLE FEDERAL, STATE AND LOCAL REGULATIONS AND STANDARDS.	
	ALL SPECIAL UNITS ARE NON-RETURNABLE <input type="checkbox"/> As drawn <input type="checkbox"/> As marked	
Signed: _____		Date: _____
LEAD TIME WILL START UPON RECEIPT OF SIGNED APPROVAL DRAWING		

DISTRIBUTOR'S NAME:		P.O.#
VESTIL MANUFACTURING		X
DRAWN BY: WHR		W.O.#
DATE: 5/17/12		X
REFERENCE: X		SALES: X
QUOTED LEAD TIME: X		FILE NAME:
QUOTE # X		30-007-254
SCALE: 1:8		