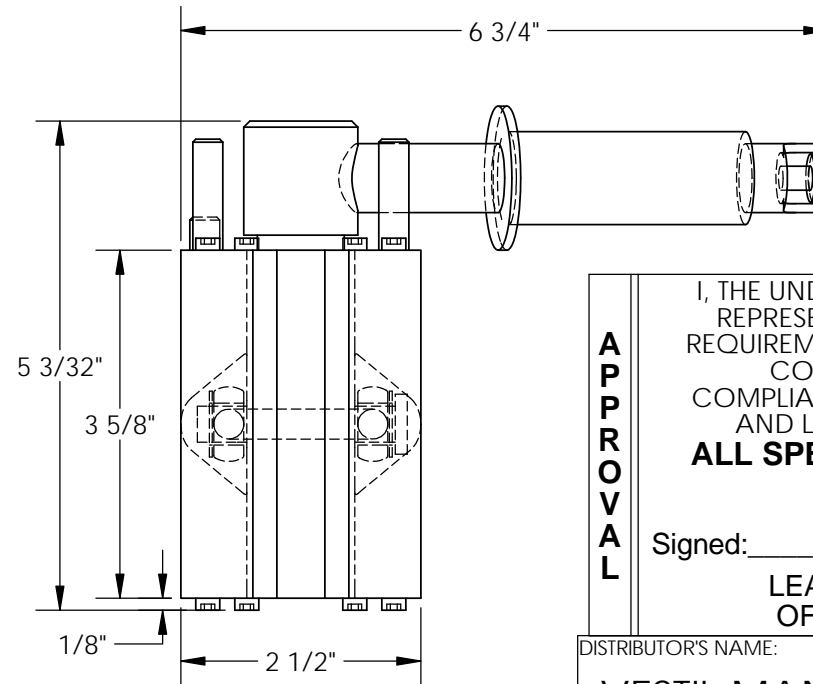
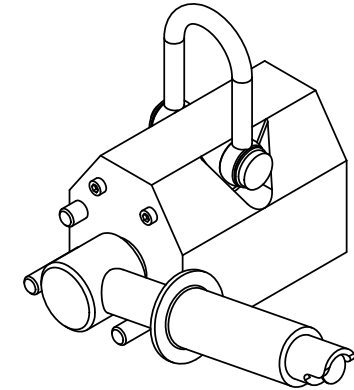
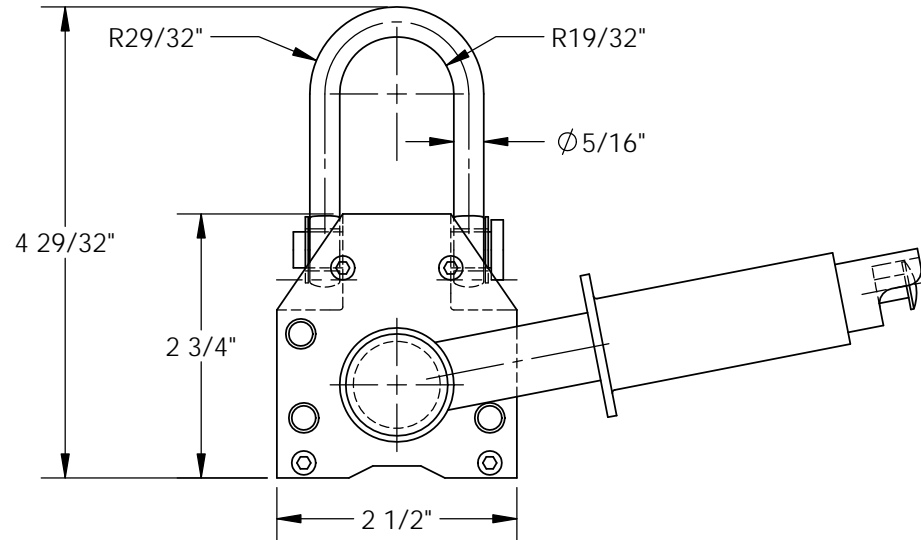


MAGNETIC LIFTER - ML-2

APPROX WEIGHT: 6 lbs.
 DOES NOT INCLUDE WEIGHT OF POWER OR PACKAGING!!!

*** ANY ADDITIONS, DELETIONS, OR OMISSIONS MUST BE CORRECTED ON THIS DRAWING AS THIS DRAWING WILL BE CONSIDERED ALL INCLUSIVE ***

ALL GRAPHICS PROVIDED ARE FOR REFERENCE ONLY. IF CERTAIN DIMENSIONS ARE CRITICAL PLEASE VERIFY THOSE DIMENSIONS WITH YOUR SALESPERSON
 WEIGHT IS EDITED FOR ACCURACY.



DIMENSION TOLERANCE ± 1/4"

**ALL SPECIAL UNITS
 ARE NON-RETURNABLE**

STANDARD FEATURES

MODEL NUMBER IS: ML-2
 OVERALL WIDTH IS: 6 3/4"
 OVERALL LENGTH IS: 5 3/32"
 OVERALL HEIGHT IS: 4 29/32"
 UNIFORM FLAT CAPACITY IS: 200 LBS
 UNIFORM ROUND CAPACITY IS: 60 LBS
 COLOR: YELLOW

SPECIAL FEATURES

NONE

APPROVAL

I, THE UNDERSIGNED, AGREE THAT THE PRODUCT AS REPRESENTED SATISFIES DESIGN AND DIMENSION REQUIREMENTS. I ALSO ACKNOWLEDGE MY DUTY TO CONFIRM PRODUCT AND INSTALLATION COMPLIANCE WITH ALL APPLICABLE FEDERAL, STATE AND LOCAL REGULATIONS AND STANDARDS.
ALL SPECIAL UNITS ARE NON-RETURNABLE
 As drawn As marked

Signed: _____ Date: _____

**LEAD TIME WILL START UPON RECEIPT
 OF SIGNED APPROVAL DRAWING**

DISTRIBUTOR'S NAME:		P.O.#
VESTIL MANUFACTURING		X
DRAWN BY: ALH		DATE: 02/21/2012
REFERENCE: X		SALES: X
QUOTED LEAD TIME: X		SCALE: 1:2
QUOTE # X		FILE NAME: 49-007-015