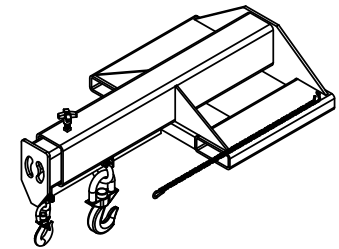
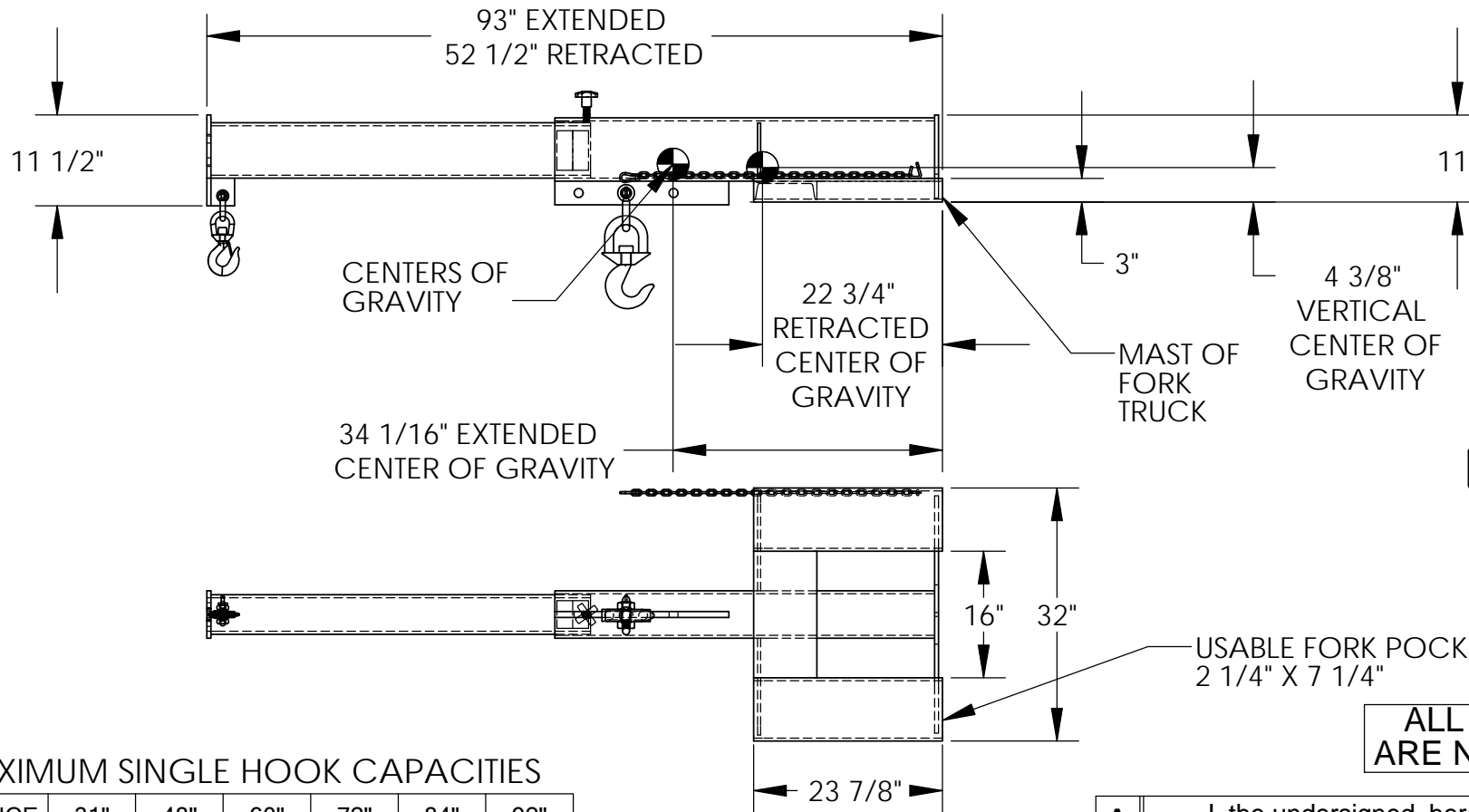


TELESCOPING ECONOMY BOOM - LMS-EBT-46-8

*** ANY ADDITIONS, DELETIONS, OR OMISSIONS MUST BE CORRECTED ON THIS DRAWING AS THIS DRAWING WILL BE CONSIDERED ALL INCLUSIVE ***

ALL GRAPHICS PROVIDED ARE FOR REFERENCE ONLY. IF CERTAIN DIMENSIONS ARE CRITICAL PLEASE VERIFY THOSE DIMENSIONS WITH YOUR SALESPERSON



3D VIEW SHOWN FOR REFERENCE ONLY

ALL SPECIAL UNITS ARE NON-RETURNABLE

APPROVAL	I, the undersigned, hereby approve this print. This includes my approval of design & dimensions	
	[] As drawn	[] As marked
	Signed: _____	Date: _____
	LEAD TIME WILL START UPON RECEIPT OF SIGNED APPROVAL DRAWING	

****MAXIMUM SINGLE HOOK CAPACITIES**

DISTANCE	31"	48"	60"	72"	84"	92"
CAPACITY	8000	6650	6000	5300	4650	4000

STANDARD FEATURES

- MODEL NUMBER IS LMS-EBT-46-8
- CAPACITY IS 8,000 LBS.
- WEIGHT / LOST LOAD IS 620 LBS
- OVERALL WIDTH IS 32"
- FORK POCKET CENTERS IS 24"
- OVERALL LENGTH (EXTENDED) IS 93"
- OVERALL LENGTH (RETRACTED) IS 52 1/2"
- OVERALL HEIGHT IS 11 1/2"
- USABLE FORK POCKET IS 2 1/4" X 7 1/4"
- 31" MINIMUM HOOK POINT
- 91" MAXIMUM HOOK POINT
- EFFECTIVE THICKNESS IS LESS THAN 1"

SPECIAL FEATURES

NONE

NEVER EXCEED LOAD CENTER RATING PER FORK TRUCK MANUFACTURER'S GUIDELINES. DO NOT USE THIS FORK TRUCK ATTACHMENT IF LOAD WILL EXCEED FORK TRUCK MANUFACTURER'S LOAD CENTER RATING.

DISTRIBUTOR'S NAME: VESTIL MANUFACTURING		P.O.# X
DRAWN BY: QW	DATE: 6/03/09	SCALE: 1:22
REFERENCE: X	QUOTE # X	SALES: X
		FILE NAME: 08-007-212