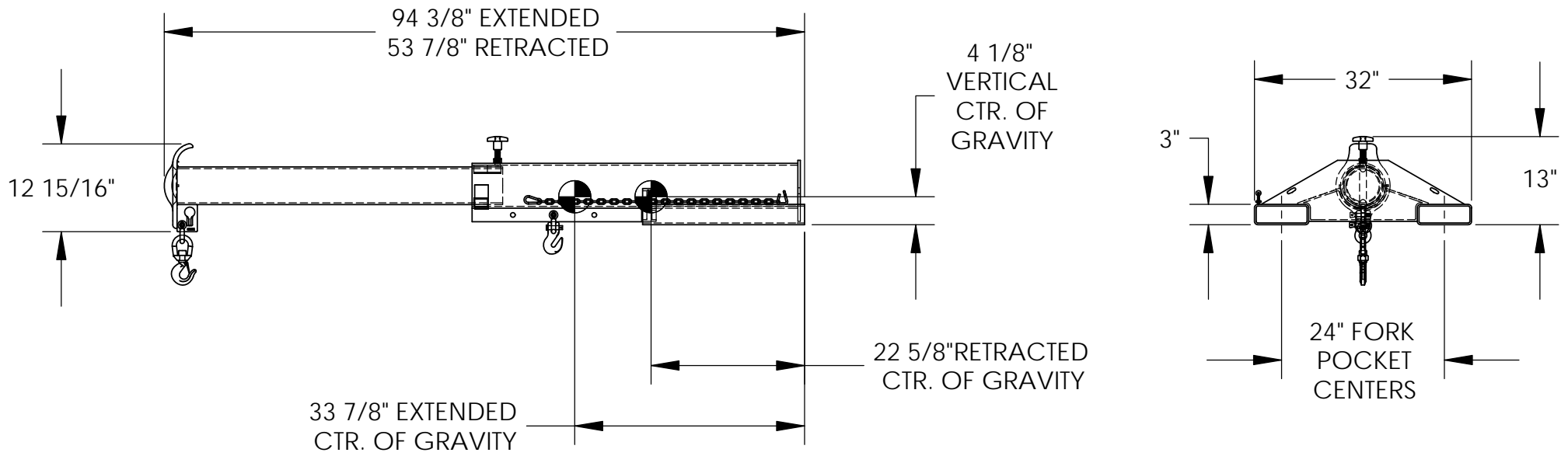


# SHORTY LIFT MASTER BOOM - LMS-EBT-46-4

APPROX WEIGHT: 248 lbs.  
 DOES NOT INCLUDE WEIGHT OF POWER OR PACKAGING!!!

\*\*\* ANY ADDITIONS, DELETIONS, OR OMISSIONS MUST BE CORRECTED ON THIS DRAWING AS THIS DRAWING WILL BE CONSIDERED ALL INCLUSIVE \*\*\*

ALL GRAPHICS PROVIDED ARE FOR REFERENCE ONLY. IF CERTAIN DIMENSIONS ARE CRITICAL PLEASE VERIFY THOSE DIMENSIONS WITH YOUR SALESPERSON



**\*--MAXIMUM SINGLE HOOK CAPACITIES**

DISTANCE	31"	48"	60"	72"	84"	92"
CAPACITY	4000	3750	3500	3250	3000	2750

## STANDARD FEATURES

- MODEL NUMBER: LMS-EBT-46-4
- CAPACITY: 4,000 LBS
- LOST LOAD - 365 LBS
- OVERALL HEIGHT - 13"
- LENGTH (EXTENDED) - 94 3/8"
- LENGTH (RETRACTED) - 53 7/8"
- OVERALL WIDTH - 32"
- USABLE FORK POCKET - 2 1/2 X 7 1/2
- 24" FORK POCKET CENTERS
- 31" MINIMUM HOOK POINT
- 91 3/4" MAXIMUM HOOK POINT
- EFFECTIVE THICKNESS: LESS THAN 1"

## SPECIAL FEATURES

NONE

NEVER EXCEED LOAD CENTER RATING PER FORK TRUCK MANUFACTURER'S GUIDELINES.  
 DO NOT USE THIS FORK TRUCK ATTACHMENT IF LOAD WILL EXCEED FORK TRUCK MANUFACTURER'S LOAD CENTER RATING.

APPROVAL	I, THE UNDERSIGNED, AGREE THAT THE PRODUCT AS REPRESENTED SATISFIES DESIGN AND DIMENSION REQUIREMENTS. I ALSO ACKNOWLEDGE MY DUTY TO CONFIRM PRODUCT AND INSTALLATION COMPLIANCE WITH ALL APPLICABLE FEDERAL, STATE AND LOCAL REGULATIONS AND STANDARDS.	
	<b>ALL SPECIAL UNITS ARE NON-RETURNABLE</b>	
	[ ] As drawn      [ ] As marked	
Signed: _____		Date: _____
<b>LEAD TIME WILL START UPON RECEIPT OF SIGNED APPROVAL DRAWING</b>		

DISTRIBUTOR'S NAME:		P.O.#
VESTIL MANUFACTURING		X
DRAWN BY: DEY		W.O.#
DATE: 6/29/12		X
REFERENCE: X	SCALE: 1:22	SALES: X
QUOTED LEAD TIME: X	QUOTE # X	FILE NAME:
		08-007-210