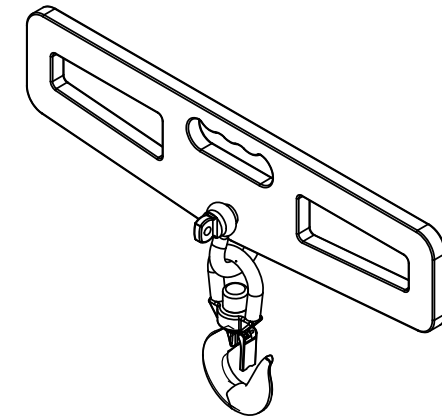
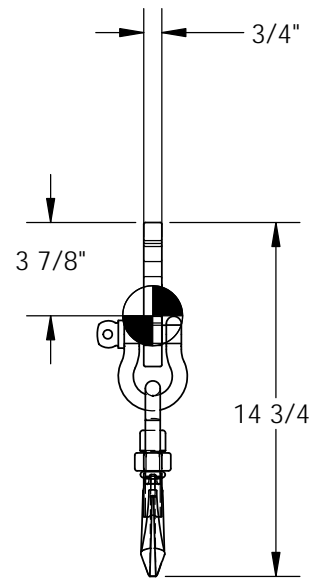
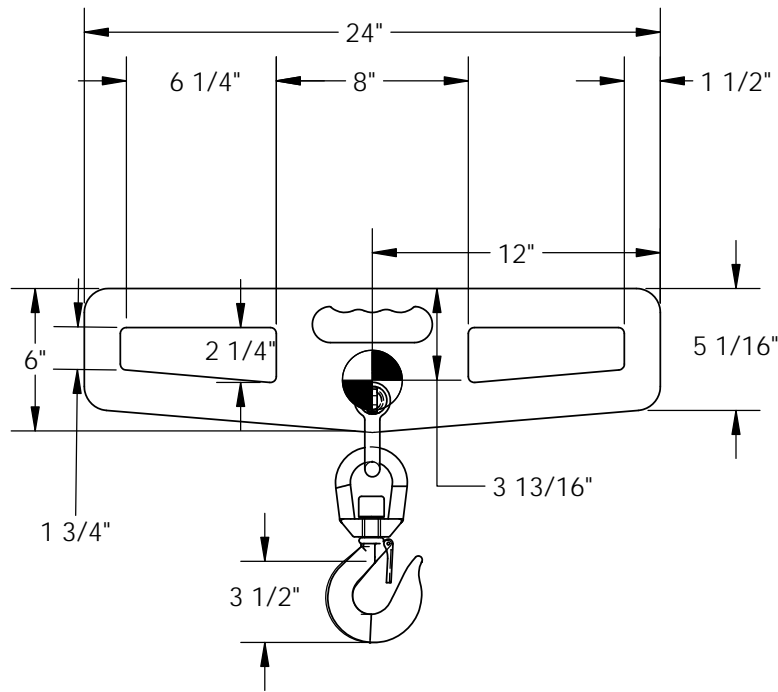


HOOK PLATE - LM-HP-6

APPROX WEIGHT: 24.34 lbs.
DOES NOT INCLUDE WEIGHT OF POWER OR PACKAGING!!!

*** ANY ADDITIONS, DELETIONS, OR OMISSIONS MUST BE CORRECTED ON THIS DRAWING AS THIS DRAWING WILL BE CONSIDERED ALL INCLUSIVE ***

ALL GRAPHICS PROVIDED ARE FOR REFERENCE ONLY. IF CERTAIN DIMENSIONS ARE CRITICAL PLEASE VERIFY THOSE DIMENSIONS WITH YOUR SALESPERSON



STANDARD FEATURES

- MODEL NUMBER IS LM-HP-6
- OVERALL WIDTH IS 24"
- OVERALL HEIGHT IS 6"
- MAX CAPACITY IS 6,000 LBS
- FEATURES SLANTED FORK OPENINGS
- 6-1/4" W x 1-3/4" H USABLE FORK POCKETS
- INCLUDES HOOK AND ANCHOR SHACKLE
- INCLUDES STRAP AND HOOK
- WEIGHT/LOST LOAD: 25 LBS.
- MINIMUM EFFECTIVE THICKNESS: LESS THAN 1"

SPECIAL FEATURES

- NONE
- NEVER EXCEED LOAD CENTER RATING PER FORK TRUCK MANUFACTURER'S GUIDELINES
- DO NOT USE THESE FORK EXTENSIONS IF LOAD WILL EXCEED FORK TRUCK MANUFACTURER'S LOAD CENTER RATING

DIMENSION TOLERANCE $\pm 1/4"$

APPROVAL	I, THE UNDERSIGNED, AGREE THAT THE PRODUCT AS REPRESENTED SATISFIES DESIGN AND DIMENSION REQUIREMENTS. I ALSO ACKNOWLEDGE MY DUTY TO CONFIRM PRODUCT AND INSTALLATION COMPLIANCE WITH ALL APPLICABLE FEDERAL, STATE AND LOCAL REGULATIONS AND STANDARDS.	
	ALL SPECIAL UNITS ARE NON-RETURNABLE [] As drawn [] As marked	
	Signed: _____	Date: _____
LEAD TIME WILL START UPON RECEIPT OF SIGNED APPROVAL DRAWING		

DISTRIBUTOR'S NAME:		P.O.#
VESTIL MANUFACTURING		X
		W.O.#
DRAWN BY: AT	DATE: 04/15/2013	SALES: X
REFERENCE: X	SCALE: 1:8	FILE NAME:
QUOTED LEAD TIME: X	QUOTE # X	08-007-030