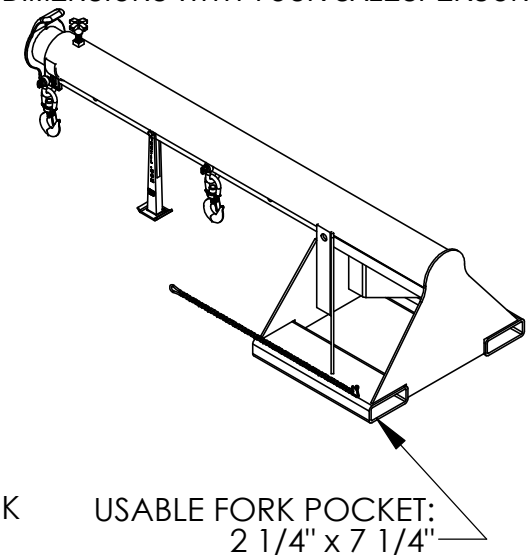
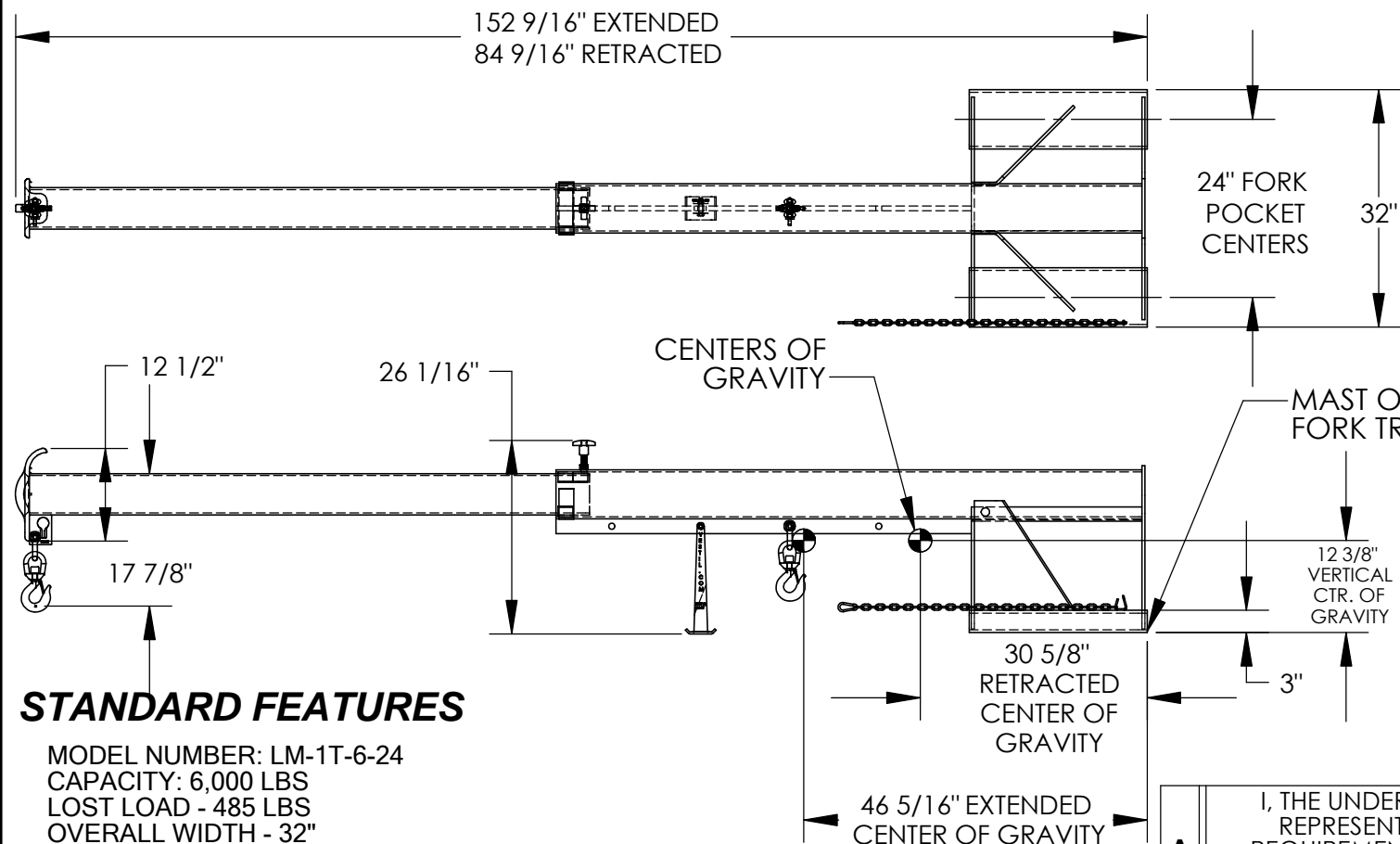


# MODEL NAME - LM-1T-6-24

APPROX WEIGHT: 480.11 lbs.  
DOES NOT INCLUDE WEIGHT OF POWER OR PACKAGING!!!

\*\*\* ANY ADDITIONS, DELETIONS, OR OMISSIONS MUST BE CORRECTED ON THIS DRAWING AS THIS DRAWING WILL BE CONSIDERED ALL INCLUSIVE \*\*\*

ALL GRAPHICS PROVIDED ARE FOR REFERENCE ONLY. IF CERTAIN DIMENSIONS ARE CRITICAL PLEASE VERIFY THOSE DIMENSIONS WITH YOUR SALESPERSON



**SPECIAL FEATURES**  
NONE

## STANDARD FEATURES

- MODEL NUMBER: LM-1T-6-24
- CAPACITY: 6,000 LBS
- LOST LOAD - 485 LBS
- OVERALL WIDTH - 32"
- LENGTH (EXTENDED) - 152 9/16"
- LENGTH (RETRACTED) - 84 9/16"
- OVERALL HEIGHT - 26 1/16"
- USABLE FORK POCKET - 2 1/4" x 7 1/4"
- 24" FORK POCKET CENTERS
- 36" MINIMUM HOOK POINT
- 144" MAXIMUM HOOK POINT
- EFFECTIVE THICKNESS: LESS THAN 1"

NEVER EXCEED LOAD CENTER RATING PER FORK TRUCK MANUFACTURER'S GUIDELINES.  
DO NOT USE THIS FORK TRUCK ATTACHEMENT IF LOAD WILL EXCEED FORK TRUCK MANUFACTURER'S LOAD CENTER RATING.

**A P P R O V A L**

I, THE UNDERSIGNED, AGREE THAT THE PRODUCT AS REPRESENTED SATISFIES DESIGN AND DIMENSION REQUIREMENTS. I ALSO ACKNOWLEDGE MY DUTY TO CONFIRM PRODUCT AND INSTALLATION COMPLIANCE WITH ALL APPLICABLE FEDERAL, STATE AND LOCAL REGULATIONS AND STANDARDS.  
**ALL SPECIAL UNITS ARE NON-RETURNABLE**  
[ ] As drawn [ ] As marked

Signed: \_\_\_\_\_ Date: \_\_\_\_\_

LEAD TIME WILL START UPON RECEIPT OF SIGNED APPROVAL DRAWING

36"	48"	60"	72"	84"	96"	108"	120"	132"	144"
6000	5000	4500	4000	3500	3000	2600	2300	2000	1800

DISTRIBUTOR'S NAME: VESTIL MANUFACTURING

DRAWN BY: KY DATE: 11/28/05

REFERENCE: X SCALE: 1:24

QUOTED LEAD TIME: X QUOTE # X

P.O.# X  
W.O.# X  
SALES: X  
FILE NAME: 08-007-129