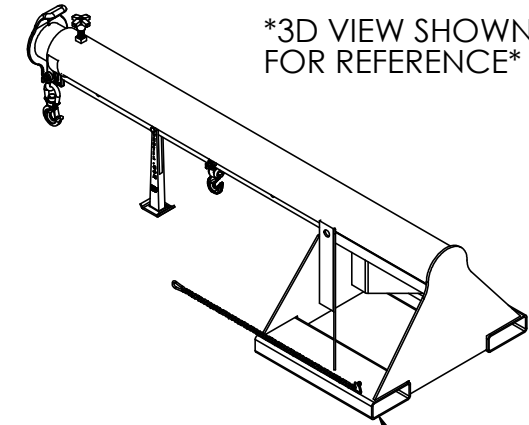
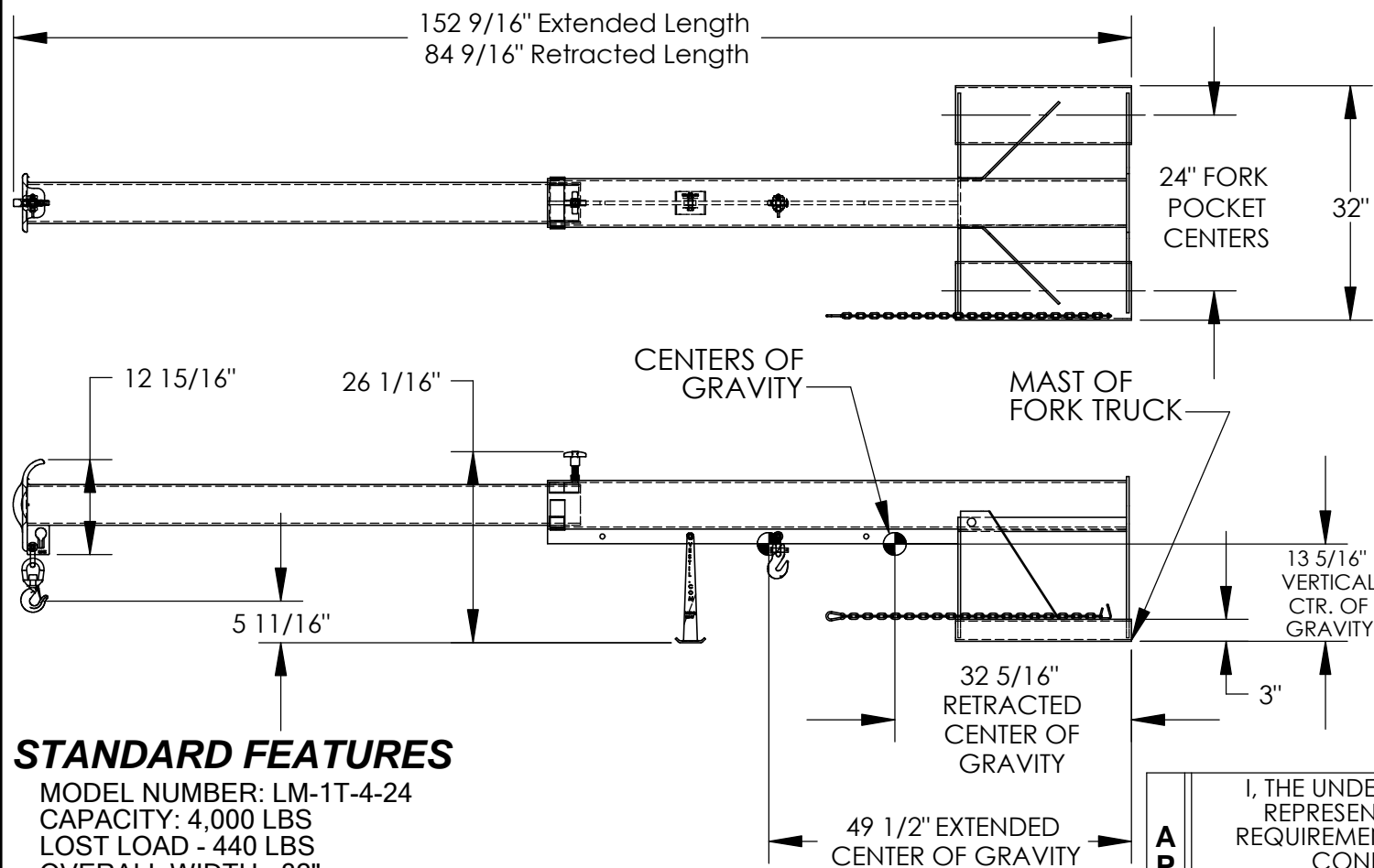


LIFT MASTER BOOM - LM-1T-4-24

APPROX WEIGHT: 431.98 lbs.
 DOES NOT INCLUDE WEIGHT OF POWER OR PACKAGING!!!

*** ANY ADDITIONS, DELETIONS, OR OMISSIONS MUST BE CORRECTED ON THIS DRAWING AS THIS DRAWING WILL BE CONSIDERED ALL INCLUSIVE ***

ALL GRAPHICS PROVIDED ARE FOR REFERENCE ONLY. IF CERTAIN DIMENSIONS ARE CRITICAL PLEASE VERIFY THOSE DIMENSIONS WITH YOUR SALESPERSON



USABLE FORK POCKET:
 2 1/2" x 7 1/2"

SPECIAL FEATURES
 NONE

STANDARD FEATURES

- MODEL NUMBER: LM-1T-4-24
- CAPACITY: 4,000 LBS
- LOST LOAD - 440 LBS
- OVERALL WIDTH - 32"
- LENGTH (EXTENDED) - 152 9/16"
- LENGTH (RETRACTED) - 84 9/16"
- OVERALL HEIGHT - 26 1/16"
- USABLE FORK POCKET - 2 1/2" x 7 1/2"
- 24" FORK POCKET CENTERS
- 36" MINIMUM HOOK POINT
- 144" MAXIMUM HOOK POINT
- EFFECTIVE THICKNESS: LESS THAN 1"

NEVER EXCEED LOAD CENTER RATING PER FORK TRUCK MANUFACTURER'S GUIDELINES.
 DO NOT USE THIS FORK TRUCK ATTACHEMENT IF LOAD WILL EXCEED FORK TRUCK MANUFACTURER'S LOAD CENTER RATING.

A P P R O V A L

I, THE UNDERSIGNED, AGREE THAT THE PRODUCT AS REPRESENTED SATISFIES DESIGN AND DIMENSION REQUIREMENTS. I ALSO ACKNOWLEDGE MY DUTY TO CONFIRM PRODUCT AND INSTALLATION COMPLIANCE WITH ALL APPLICABLE FEDERAL, STATE AND LOCAL REGULATIONS AND STANDARDS.
ALL SPECIAL UNITS ARE NON-RETURNABLE
 As drawn As marked

Signed: _____ Date: _____

LEAD TIME WILL START UPON RECEIPT OF SIGNED APPROVAL DRAWING

DISTANCE	36"	48"	60"	72"	84"	96"	108"	120"	132"	144"
CAPACITY	4000	3750	3500	3250	3000	2750	2500	2250	2000	1750

DISTRIBUTOR'S NAME: VESTIL MANUFACTURING

P.O.# X
 W.O.# X
 SALES: X

DRAWN BY: ND DATE: 2/24/09

REFERENCE: X SCALE: 1:24 FILE NAME: 08-007-128

QUOTED LEAD TIME: X QUOTE # X