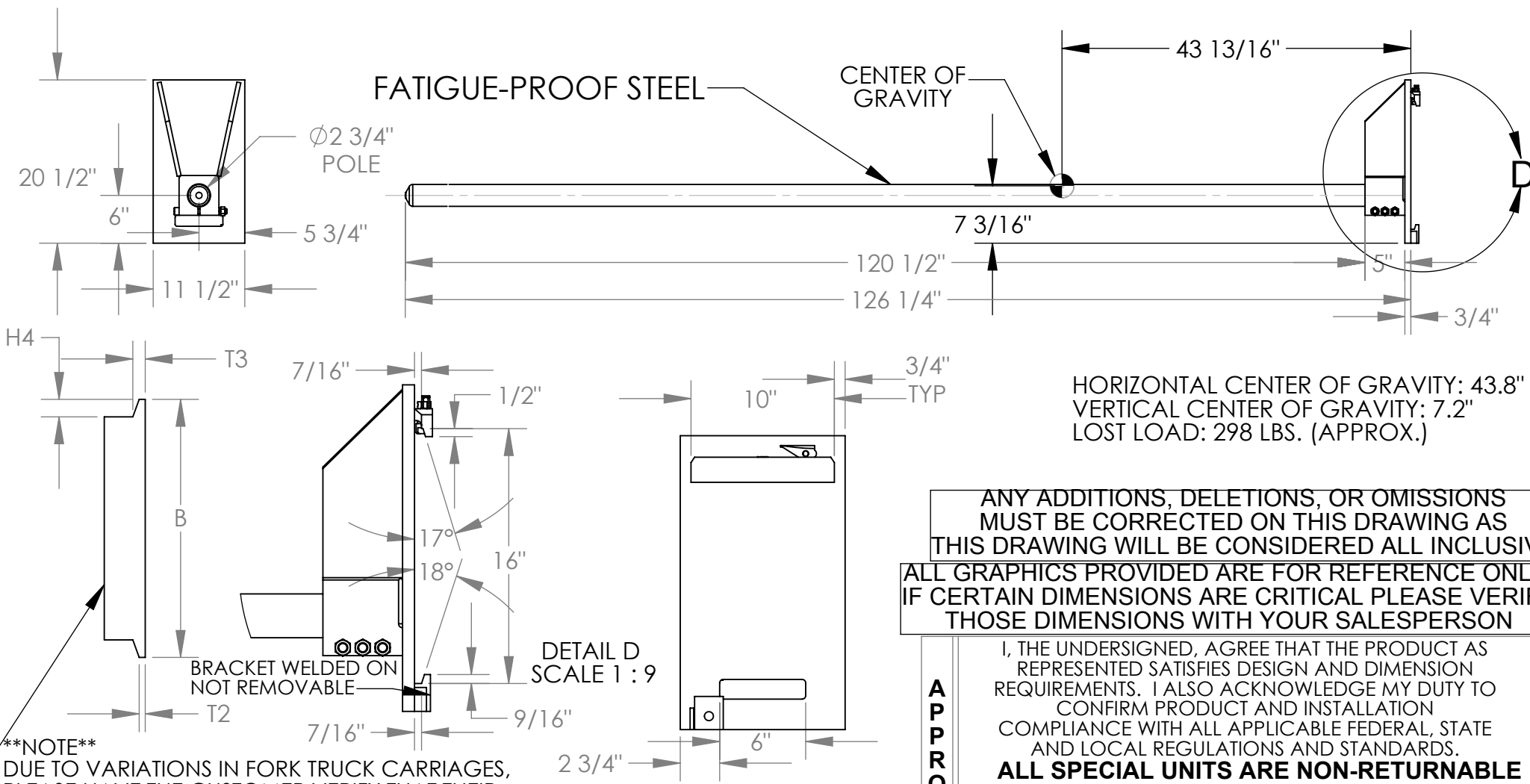


CLASS II CARRIAGE MOUNTED RUG-RAM - CR-120-2

APPROX WEIGHT: 297.43 lbs.
DOES NOT INCLUDE WEIGHT OF POWER OR PACKAGING!!!

*** ANY ADDITIONS, DELETIONS, OR OMISSIONS MUST BE CORRECTED ON THIS DRAWING AS THIS DRAWING WILL BE CONSIDERED ALL INCLUSIVE ***

ALL GRAPHICS PROVIDED ARE FOR REFERENCE ONLY. IF CERTAIN DIMENSIONS ARE CRITICAL PLEASE VERIFY THOSE DIMENSIONS WITH YOUR SALESPERSON



HORIZONTAL CENTER OF GRAVITY: 43.8"
VERTICAL CENTER OF GRAVITY: 7.2"
LOST LOAD: 298 LBS. (APPROX.)

ANY ADDITIONS, DELETIONS, OR OMISSIONS MUST BE CORRECTED ON THIS DRAWING AS THIS DRAWING WILL BE CONSIDERED ALL INCLUSIVE
ALL GRAPHICS PROVIDED ARE FOR REFERENCE ONLY. IF CERTAIN DIMENSIONS ARE CRITICAL PLEASE VERIFY THOSE DIMENSIONS WITH YOUR SALESPERSON

I, THE UNDERSIGNED, AGREE THAT THE PRODUCT AS REPRESENTED SATISFIES DESIGN AND DIMENSION REQUIREMENTS. I ALSO ACKNOWLEDGE MY DUTY TO CONFIRM PRODUCT AND INSTALLATION COMPLIANCE WITH ALL APPLICABLE FEDERAL, STATE AND LOCAL REGULATIONS AND STANDARDS.
ALL SPECIAL UNITS ARE NON-RETURNABLE
[] As drawn [] As marked

Signed: _____ Date: _____

LEAD TIME WILL START UPON RECEIPT OF SIGNED APPROVAL DRAWING

APPROVAL

ALL SPECIAL UNITS ARE NON-RETURNABLE

****NOTE****
DUE TO VARIATIONS IN FORK TRUCK CARRIAGES, PLEASE HAVE THE CUSTOMER VERIFY THAT THEIR CARRIAGE WILL CONFORM TO THE DIMENSIONS SHOWN TO THE RIGHT. IF NOT, PLEASE HAVE THE CUSTOMER VERIFY DIMENSIONS B, T2, T3 & H4 TO BE ABLE TO QUOTE A SPECIAL BACKPLATE TO FIT.

STANDARD FEATURES

MODEL NUMBER: CR-120-2
CAPACITY: 2,200 LBS. UNIFORM CAPACITY
POLE LENGTH: 120 1/2"
POLE DIAMETER: 2 3/4"
FITS CLASS II CARRIAGE

SPECIAL FEATURES

NONE

| | | |
|----------------------|-----------------|------------|
| DISTRIBUTOR'S NAME: | | P.O.# |
| VESTIL MANUFACTURING | | X |
| DRAWN BY: BJW | DATE: 1/12/2008 | W.O.# |
| REFERENCE: X | SCALE: 1:18 | X |
| QUOTED LEAD TIME: X | QUOTE # | FILE NAME: |
| | X | 08-007-101 |