

**ROURA**

Distributed By:  
Solution Dynamics Inc  
877-860-3620

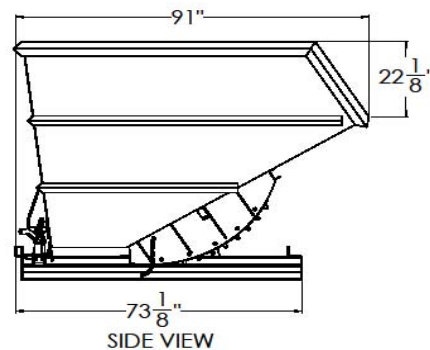
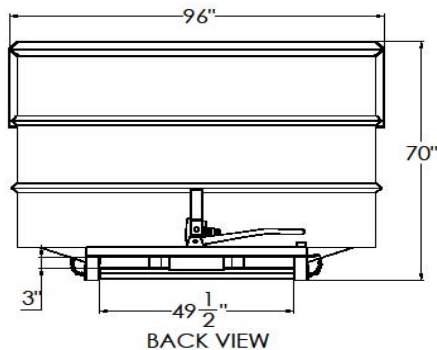
## BEHEMOTH HOPPER MODEL

4T-3/16-EL-1890 7 CU YD



MODEL#	VOLUME	L	W	H	WEIGHT	FORK OPENING	MAX LOAD CAP
4T-3/16-EL-1890	7 Yd <sup>3</sup>	91"	96"	70"	2255 LBS	3" X 49-1/2"	8000 LBS

BEHEMOTH 4T-3/16-EL-1890



**CONSTRUCTION:** 3/16" plate body, reinforced with 3 additional rows of reinforcing angle, 5/16" heavy duty boxed tube base, extended steel handle with secure flip latch, base to body chains, slide bolt latch and continuous stops.

**FINISH:** Bright safety green enamel paint.

OPTIONAL ITEMS ARE AVAILABLE

(STEEL COVER & CASTERS ARE NOT AVAILABLE ON ANY BEHEMOTH HOPPER MODELS)

**"FOR ALL YOUR MATERIAL HANDLING NEEDS!"**