

ROURA

Distributed By:
Solution Dynamics Inc
877-860-3620

RUGGED HOPPER MODEL

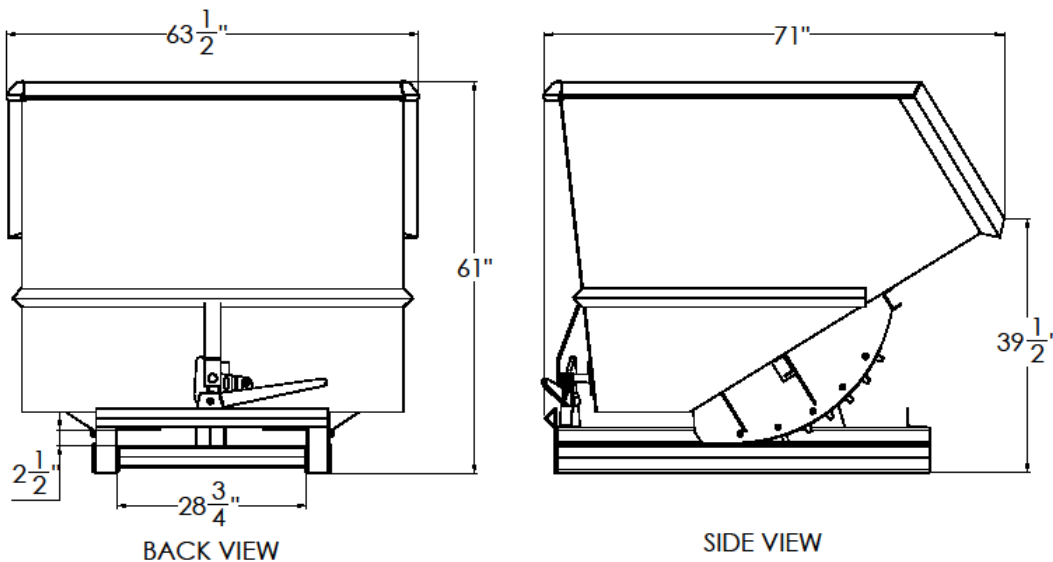
4T-3/16-810 3 CU YD



(SHOWN AS 3T-3/16-810)

MODEL #	SIZE	L	W	H	LH	FORK OPENING	WEIGHT	CAPACITY
4T-3/16-810	3 CU YD	71"	63 1/2"	61"	39 1/2"	2 1/2" X 28 3/4"	1215 LBS	8000 LBS

RUGGED 4T-3/16-810



CONSTRUCTION: 7 gauge plate body and 5/16" formed box tube base. Bodies are 100% continuous weld for superior construction. Ductile iron handle, standard stops and secure flip latch are standard on this model.

FINISH: Bright safety green enamel paint (other colors optional).

OPTIONAL ITEMS ARE AVAILABLE

"FOR ALL YOUR MATERIAL HANDLING NEEDS!"