



ROURA

Distributed By:
Solution Dynamics Inc
877-860-3620

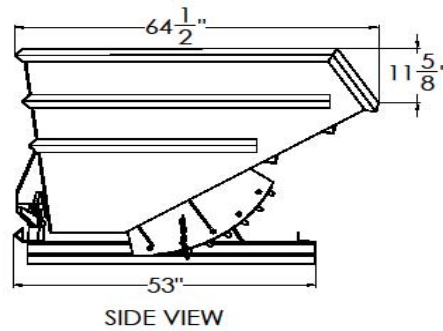
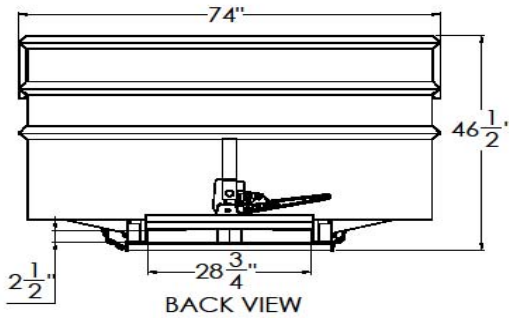
ULTIMATE HOPPER MODEL

4T-1/4-675 2-1/2 CU YD



MODEL#	VOLUME	L	W	H	WEIGHT	FORK OPENING	MAX LOAD CAP
4T-1/4-675	2-1/2 Yd ³	64-1/2"	74"	46-1/2"	1298 LBS	2-1/2" X 28-3/4"	8000 LBS

ULTIMATE 4T-1/4-675



CONSTRUCTION: 1/4" plate body, reinforced with 2 additional rows of reinforcing angle, standard 5/16" formed plate base, ductile iron handle with secure flip latch, base to body chains, and standard stops.

FINISH: Bright safety green enamel paint.

OPTIONAL ITEMS ARE AVAILABLE
"FOR ALL YOUR MATERIAL HANDLING NEEDS!"