



ROURA

Distributed By:
Solution Dynamics Inc
877-860-3620

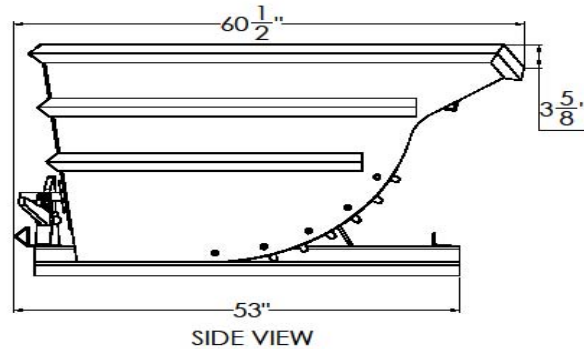
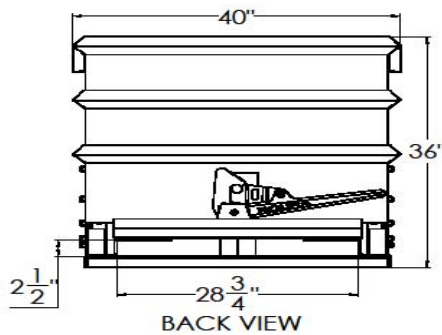
ULTIMATE HOPPER MODEL

4T-1/4-205 3/4 CU YD



MODEL#	VOLUME	L	W	H	WEIGHT	FORK OPENING	MAX LOAD CAP
4T-1/4-205	3/4 Yd ³	60-1/2"	40"	36"	740 LBS	2-1/2" X 28-3/4"	8000 LBS

ULTIMATE 4T-1/4-205



CONSTRUCTION: 1/4" plate body, reinforced with 2 additional rows of reinforcing angle, standard 1/4" formed plate base, ductile iron handle with secure flip latch and standard stops.

FINISH: Bright safety green enamel paint.

OPTIONAL ITEMS ARE AVAILABLE

"FOR ALL YOUR MATERIAL HANDLING NEEDS!"