



**ROURA**

Distributed By:  
Solution Dynamics Inc  
877-860-3620

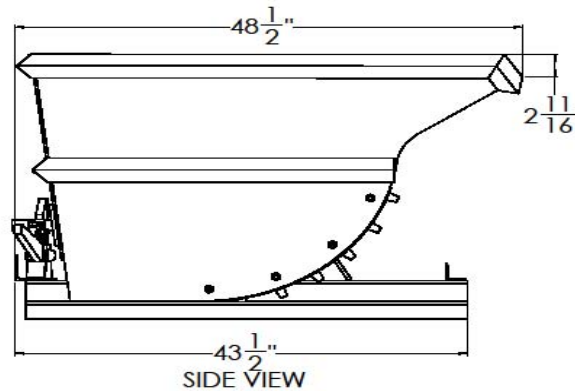
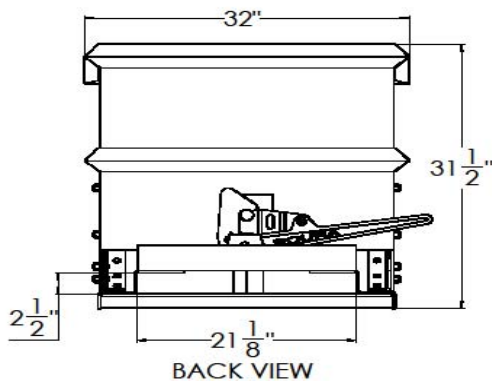
## ULTIMATE HOPPER MODEL

4T-1/4-105 1/3 CU YD



MODEL#	VOLUME	L	W	H	WEIGHT	FORK OPENING	MAX LOAD CAP
4T-1/4-105	1/3 Yd <sup>3</sup>	48-1/2"	32"	31-1/2"	550 LBS	2-1/2" X 21-1/8"	8000 LBS

ULTIMATE 4T-1/4-105



**CONSTRUCTION:** 1/4" plate body, reinforced with 2 additional rows of reinforcing angle, standard 1/4" formed plate base, ductile iron handle with secure flip latch and standard stops.

**FINISH:** Bright safety green enamel paint.

OPTIONAL ITEMS ARE AVAILABLE

"FOR ALL YOUR MATERIAL HANDLING NEEDS!"