



ROURA

Distributed By:
Solution Dynamics Inc
877-860-3620

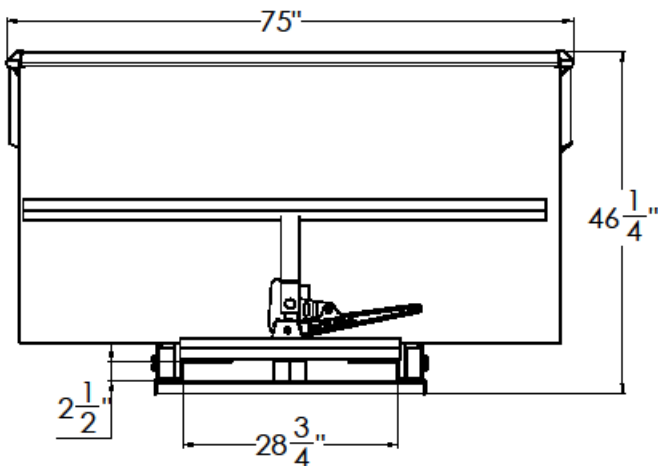
RUGGED HOPPER MODEL

3T-3/16-675 2 ½ CU YD

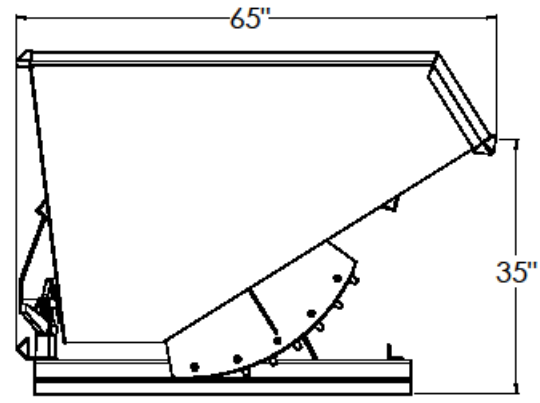


MODEL #	SIZE	L	W	H	LH	FORK OPENING	WEIGHT	CAPACITY
3T-3/16-675	2 ½ CU YD	65"	75"	46 ¼"	35"	2 ½" X 28 ¾"	888 LBS	6000 LBS

RUGGED 3T-3/16-675



BACK VIEW



SIDE VIEW

CONSTRUCTION: 7 gauge plate body and 5/16" formed plated base. Bodies are 100% continuous weld for superior construction. Ductile iron handle, standard stops and secure flip latch are standard on this model.

FINISH: Bright safety green enamel paint (other colors optional).

OPTIONAL ITEMS ARE AVAILABLE

"FOR ALL YOUR MATERIAL HANDLING NEEDS!"