



**ROURA**

Distributed By:  
Solution Dynamics Inc  
877-860-3620

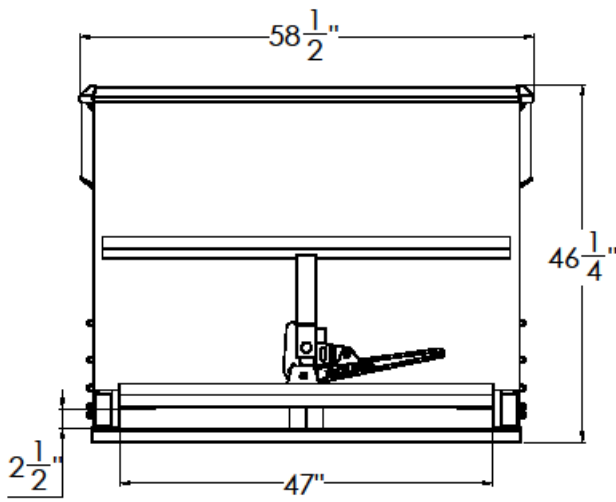
## RUGGED HOPPER MODEL

3T-3/16-550 2 CU YD

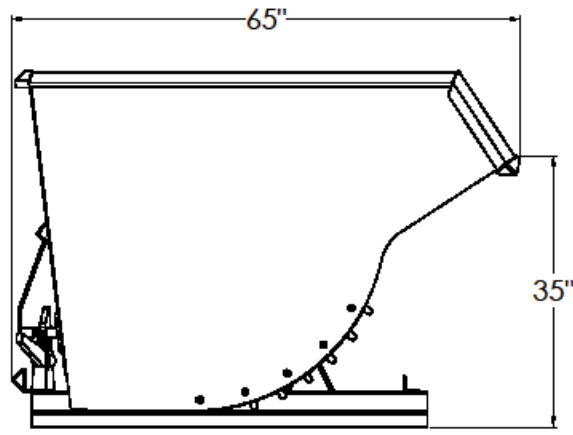


MODEL #	SIZE	L	W	H	LH	FORK OPENING	WEIGHT	CAPACITY
3T-3/16-550	2 CU YD	65"	58 1/2"	46 1/4"	35"	2 1/2" X 47"	840 LBS	6000 LBS

RUGGED 3T-3/16-550



BACK VIEW



SIDE VIEW

**CONSTRUCTION:** 7 gauge plate body and 5/16" formed plated base. Bodies are 100% continuous weld for superior construction. Ductile iron handle, standard stops and secure flip latch are standard on this model.

**FINISH:** Bright safety green enamel paint (other colors optional).

**OPTIONAL ITEMS ARE AVAILABLE**

**"FOR ALL YOUR MATERIAL HANDLING NEEDS!"**