



ROURA

Distributed By:
Solution Dynamics Inc
877-860-3620

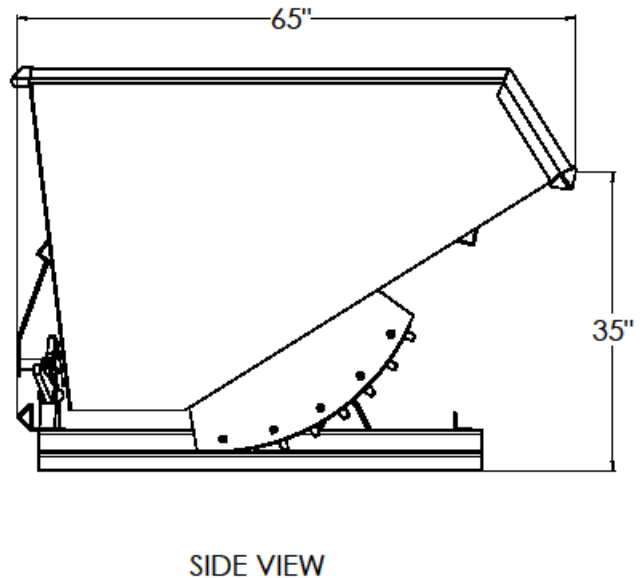
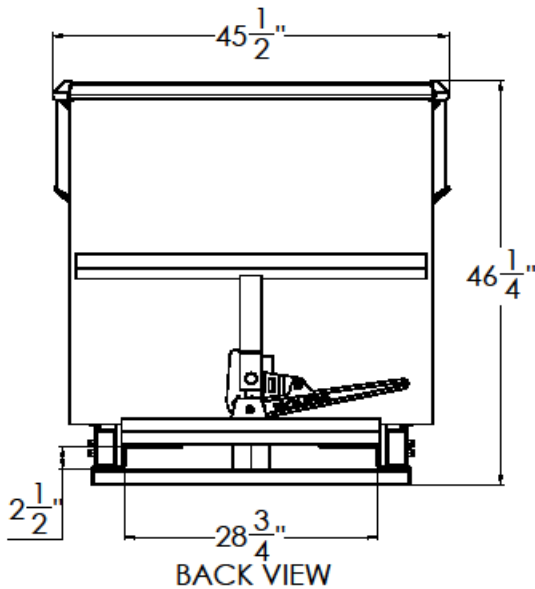
RUGGED HOPPER MODEL

3T-3/16-410 1 ½ CU YD



MODEL #	SIZE	L	W	H	LH	FORK OPENING	WEIGHT	CAPACITY
3T-3/16-410	1 ½ CU YD	65"	45 ½"	46 ¼"	35"	2 ½" X 28 ¾"	698 LBS	6000 LBS

RUGGED 3T-3/16-410



CONSTRUCTION: 7 gauge plate body and 5/16" formed plated base. Bodies are 100% continuous weld for superior construction. Ductile iron handle, standard stops and secure flip latch are standard on this model.

FINISH: Bright safety green enamel paint (other colors optional).

OPTIONAL ITEMS ARE AVAILABLE

"FOR ALL YOUR MATERIAL HANDLING NEEDS!"