

**ROURA**

Distributed By:  
Solution Dynamics Inc  
877-860-3620

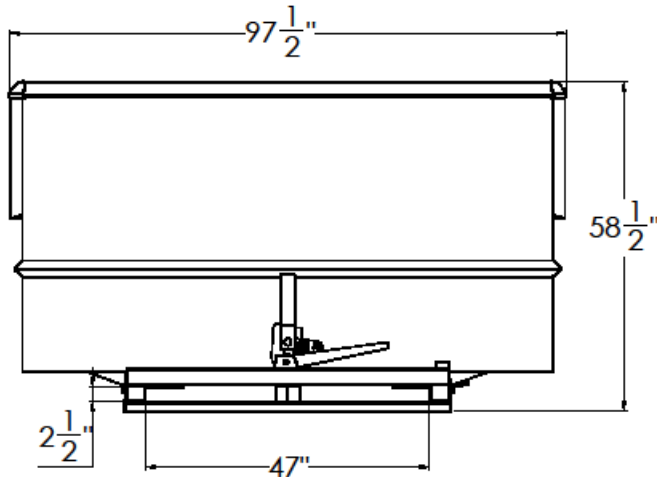
## RUGGED HOPPER MODEL

3T-3/16-1500 5 CU YD

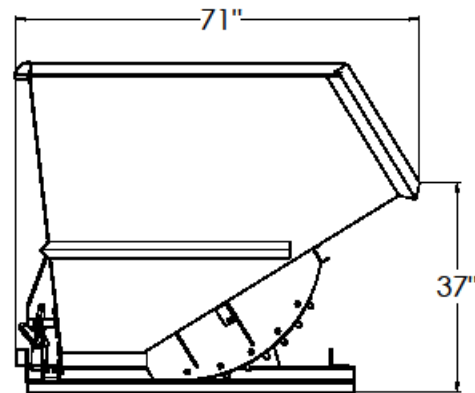


MODEL #	SIZE	L	W	H	LH	FORK OPENING	WEIGHT	CAPACITY
3T-3/16-1500	5 CU YD	71"	97 1/2"	58 1/2"	37"	2 1/2" X 47"	1426 LBS	6000 LBS

RUGGED 3T-3/16-1500



BACK VIEW



SIDE VIEW

**CONSTRUCTION:** 7 gauge plate body and 5/16" formed plated base. Bodies are 100% continuous weld for superior construction. Ductile iron handle, standard stops and secure flip latch are standard on this model.

**FINISH:** Bright safety green enamel paint (other colors optional).

OPTIONAL ITEMS ARE AVAILABLE

"FOR ALL YOUR MATERIAL HANDLING NEEDS!"