



**ROURA**

Distributed By:  
Solution Dynamics Inc  
877-860-3620

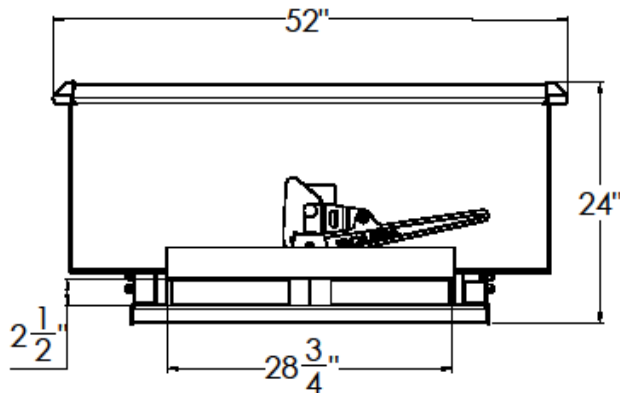
## RUGGED HOPPER MODEL

2T-3/16-SL-1/2 1/2 CU YD

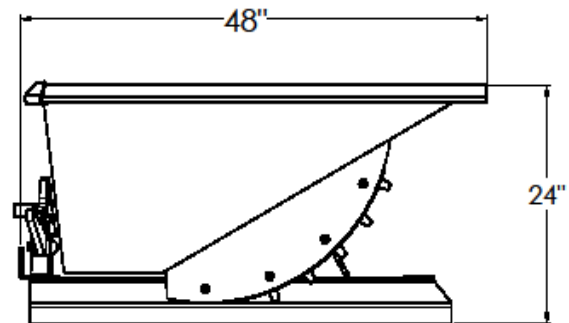


MODEL #	SIZE	L	W	H	LH	FORK OPENING	WEIGHT	CAPACITY
2T-3/16-SL-1/2	1/2 CU YD	48"	52"	24"	24"	2 1/2" X 28 3/4"	407 LBS	4000 LBS

### RUGGED 2T-3/16-SL-1/2



BACK VIEW



SIDE VIEW

**CONSTRUCTION:** 7 gauge plate body and 3/16" formed plate base. Bodies are 100% continuous weld for superior construction. Ductile iron handle, standard stops and secure flip latch are standard on this model.

**FINISH:** Bright safety green enamel paint (other colors optional).

OPTIONAL ITEMS ARE AVAILABLE

**"FOR ALL YOUR MATERIAL HANDLING NEEDS!"**