



**ROURA**

Distributed By:  
Solution Dynamics Inc  
877-860-3620

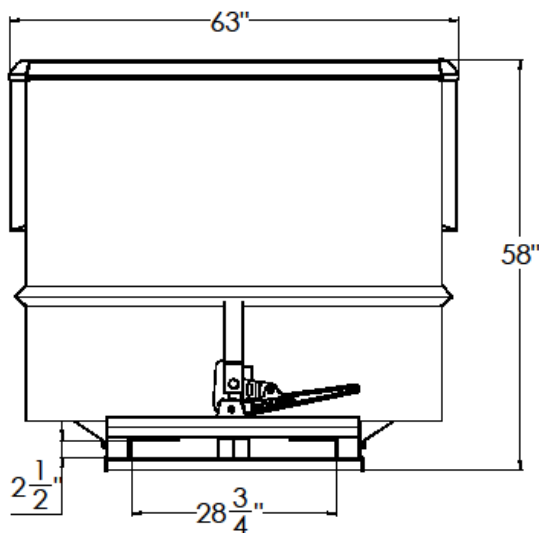
## DURABLE HOPPER MODEL

2T-10-810 3 CU YD

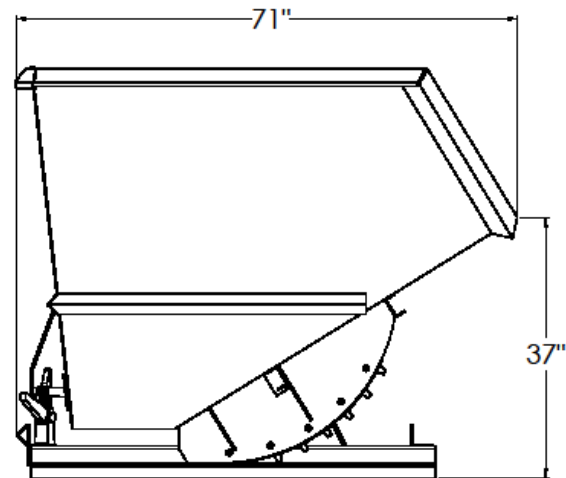


MODEL #	SIZE	L	W	H	LH	FORK OPENING	WEIGHT	CAPACITY
2T-10-810	3 CU YD	71"	63"	58"	37"	2 1/2" X 28 3/4"	916 LBS	4000 LBS

### DURABLE 2T-10-810



BACK VIEW



SIDE VIEW

**CONSTRUCTION:** 10 gauge plate body and 5/16" formed plated base. Bodies are 100% continuous weld for superior construction. Ductile iron handle, standard stops and secure flip latch are standard on this model.

**FINISH:** Bright safety green enamel paint (other colors optional).

**OPTIONAL ITEMS ARE AVAILABLE**

**"FOR ALL YOUR MATERIAL HANDLING NEEDS!"**