



ROURA
MATERIAL HANDLING

Distributed By:
Solution Dynamics Inc
877-860-3620

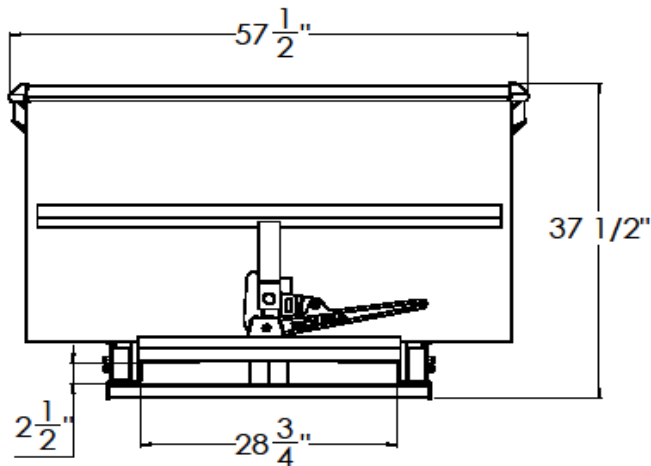
DURABLE HOPPER MODEL

1T-12-405 1 ½ CU YD

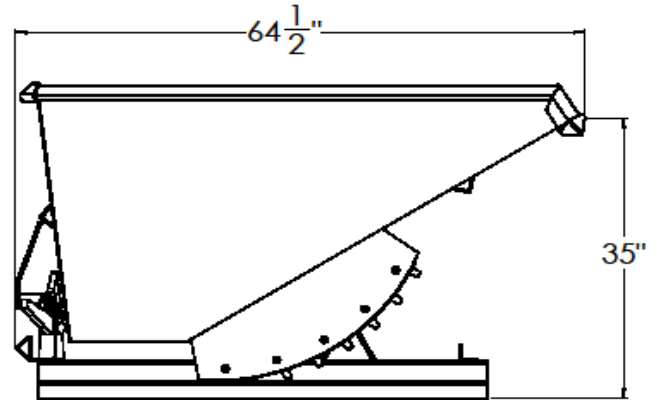


MODEL #	SIZE	L	W	H	LH	FORK OPENING	WEIGHT	CAPACITY
1T-12-405	1 ½ CU YD	64 ½"	57 ½"	37 ½"	35"	2 ½" X 28 ¾"	476 LBS	2000 LBS

DURABLE 1T-12-405



BACK VIEW



SIDE VIEW

CONSTRUCTION: 12 gauge plate body and 3/16" formed plated base. Bodies are 100% continuous weld for superior construction. Ductile iron handle, standard stops and secure flip latch are standard on this model.

FINISH: Bright safety green enamel paint (other colors optional).

OPTIONAL ITEMS ARE AVAILABLE

"FOR ALL YOUR MATERIAL HANDLING NEEDS!"