



**ROURA**

Distributed By:  
Solution Dynamics Inc  
877-860-3620

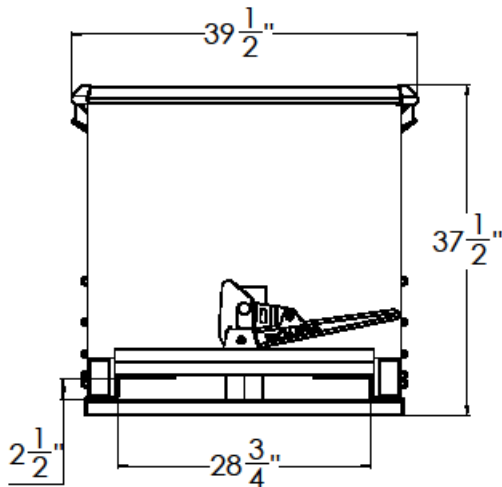
## DURABLE HOPPER MODEL

1T-12-270 1 CU YD

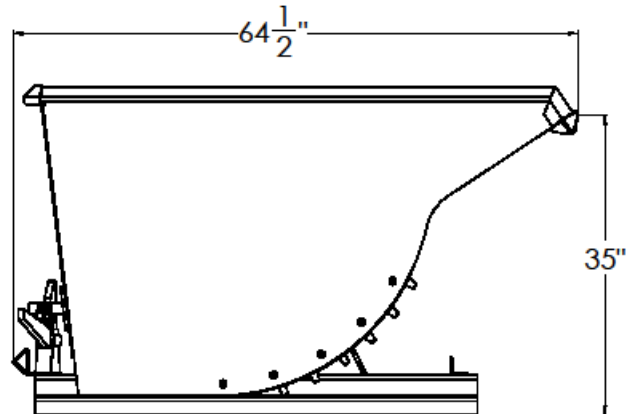


MODEL #	SIZE	L	W	H	LH	FORK OPENING	WEIGHT	CAPACITY
1T-12-270	1 CU YD	64 ½"	39 ½"	37 ½"	35"	2 ½" X 28 ¾"	388 LBS	2000 LBS

### DURABLE 1T-12-270



BACK VIEW



SIDE VIEW

**CONSTRUCTION:** 12 gauge plate body and 3/16" formed plated base. Bodies are 100% continuous weld for superior construction. Ductile iron handle, standard stops and secure flip latch are standard on this model.

**FINISH:** Bright safety green enamel paint (other colors optional).

OPTIONAL ITEMS ARE AVAILABLE

"FOR ALL YOUR MATERIAL HANDLING NEEDS!"