

THE EVOLUTION OF DRUM HANDLING

Morse Model # 900

Power-Propelled < PILOT > Drum Pourer

- Dispense a 1500 Lb. (680 kg) drum up to 10.5' (3.2 m) high, and 11" (28 cm) beyond the straddle legs
- Power-Propelled Walk-Behind
- Powered Drum Lift and Rotation
- Features the **MORcinch™** Drum Handling System for steel, plastic or fiber drum. . . and even a smaller drum

Morse Model # 905

**Scale-Equipped
Power-Propelled < PILOT > Drum Pourer**

- Adds the ability to weigh an 800 Lb. (363 kg) drum while you pour

MADE
IN
USA



Familiar Controls for propulsion and steering. Raise and Lower Buttons also incorporated in handle.



Lift and Tilt Control Handles

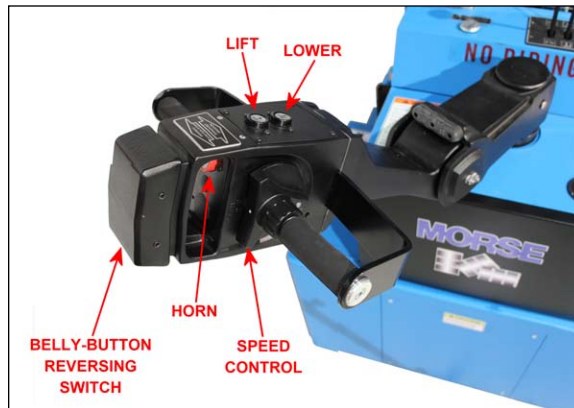
Morse model # 900 and 905 < PILOT > Drum Pourers feature intuitive, industry-standard throttle, steering and drum positioning controls... so you can put them online quickly.

Morse model # 900 < PILOT > Drum Pourer is designed to lift, transport and pour a drum weighing up to 1500 Lb. (680 kg) at 25 ft/min (5 cm/sec).* Scale-equipped model # 905 has 800 Lb. (363 kg) capacity.

Control the travel speed with ergonomic twist grip or thumb control. Maximum travel speed is 3.0 mph (4.8 km/hr) or 4.4 ft/sec (1.3 m/sec) with a 1500 Lb. (680 kg) drum.* Maneuver in narrow aisles with a turn radius of just 58" (147 cm) on smooth rubber rear drive wheel, and polyurethane front wheels.

Adjust straddle I.D. from 38" to 50" (96.5 to 127 cm), adjustable in 4" increments to work with various size pallets.

Moving steering control handle to top and bottom 15° of handle arc actuates brake proportional to handle movement, allowing operator complete control of braking by



"feathering" for accurate payload positioning through full emergency stop. When released, the handle returns to upright position and applies the brake.

Built-in safety systems include a proven "belly-button" switch, which helps prevent an operator from being pinned between the < PILOT > and any other object. Upon body contact, the switch activates low speed in the opposite direction.

"Dead-man" braking occurs when spring loaded control handle is released, turning off electrical power and applying the brakes.

The internally mounted 24V battery has a built-in "smart" charger to provide amount of charge necessary. Simply plug into a standard 110V AC outlet with the included cord. The batteries can be fully charged from empty in about 8 hours.

* Note: Lift and travel speeds will increase with lighter loads. For example, maximum travel speed with an empty drum is 3.6 mph with maximum lift speed of 39 ft/sec.

| Model # | Description | Capacity | Maximum Lift Height | Ship Weight | Ship Dimensions |
|---------|--|-------------------|---------------------|--------------------|---------------------------------------|
| 900 | < PILOT > Power-Propelled Drum Pourer | 1500 Lb. (680 kg) | 10.5' (3.2 m) | 2230 Lb. (1012 kg) | L86" x W45" H87" (218 x 114 x 221 cm) |
| 905 | < PILOT > Scale-Equipped Power-Propelled Drum Pourer | 800 Lb. (363 kg) | 10.5' (3.2 m) | 2270 Lb. (1030 kg) | L86" x W45" H87" (218 x 114 x 221 cm) |



Lift, Transport and Pour a Drum up to 10.5 feet (3.2 m) high

**Model # 900
< PILOT > Drum Pourer**

Lift, transport and dispense a drum up to 10.5 feet (3.2 m) high! Fully invert your drum in just 8 seconds with familiar ergonomic controls. Capacity is 1500 Lb. (680 kg).

**Model # 905
< PILOT > Scale-Equipped Drum Pourer**

Adds the ability to weigh while you pour, so you can dispense just the amount you need. Capacity is 800 Lb. (363 kg).

Morse < PILOT > Drum Pourers feature the **MORcinch™ Drum Handling System** with manual-grip drum holder that automatically adjusts for a 22" to 23.5" (56 to 59.7 cm) diameter drum.



MORcinch Drum Holder shown with standard Cinch Chain and Ratchet has flexible chain cover



MORcinch Drum Holder shown with Web Strap & Ratchet Option

MADE
IN
USA

**Top Rim Clamp Option
for 55-gallon (208 liter) rimmed
plastic or fiber drum.**

The **Top Rim Clamp** grips the upper rim of your drum to prevent it from slipping through the drum holder. Use to handle a 55-gallon (208 liter) rimmed plastic or fiber drum. To handle a 55-gallon plastic drum with top rim, you must install either the Bracket Assembly or the Top Rim Clamp.

Morse part # 4560-P
Top Rim Clamp Assembly Kit



**Bracket Assembly Option
for rimless poly drum or to more
securely handle a fiber drum.**

Installing the Bracket Assembly provides a brace at top and bottom of your drum to prevent it from slipping lengthways through the drum holder. The Bracket Assembly is required to handle a rimless plastic drum, and recommended to more securely handle a fiber drum. It adjusts for 31" to 39" (79 to 99 cm) tall drum.

Morse part # 4556-P
Bracket Assembly Kit



**Add Diameter Adaptors
for a Smaller Diameter Drum.**

Diameter Adaptors quickly insert into the drum holder to handle your smaller drum. Select the correct size Diameter Adaptor for each drum. Simply lift the Diameter Adaptor out of the drum holder to return to handling a 55-gallon drum.



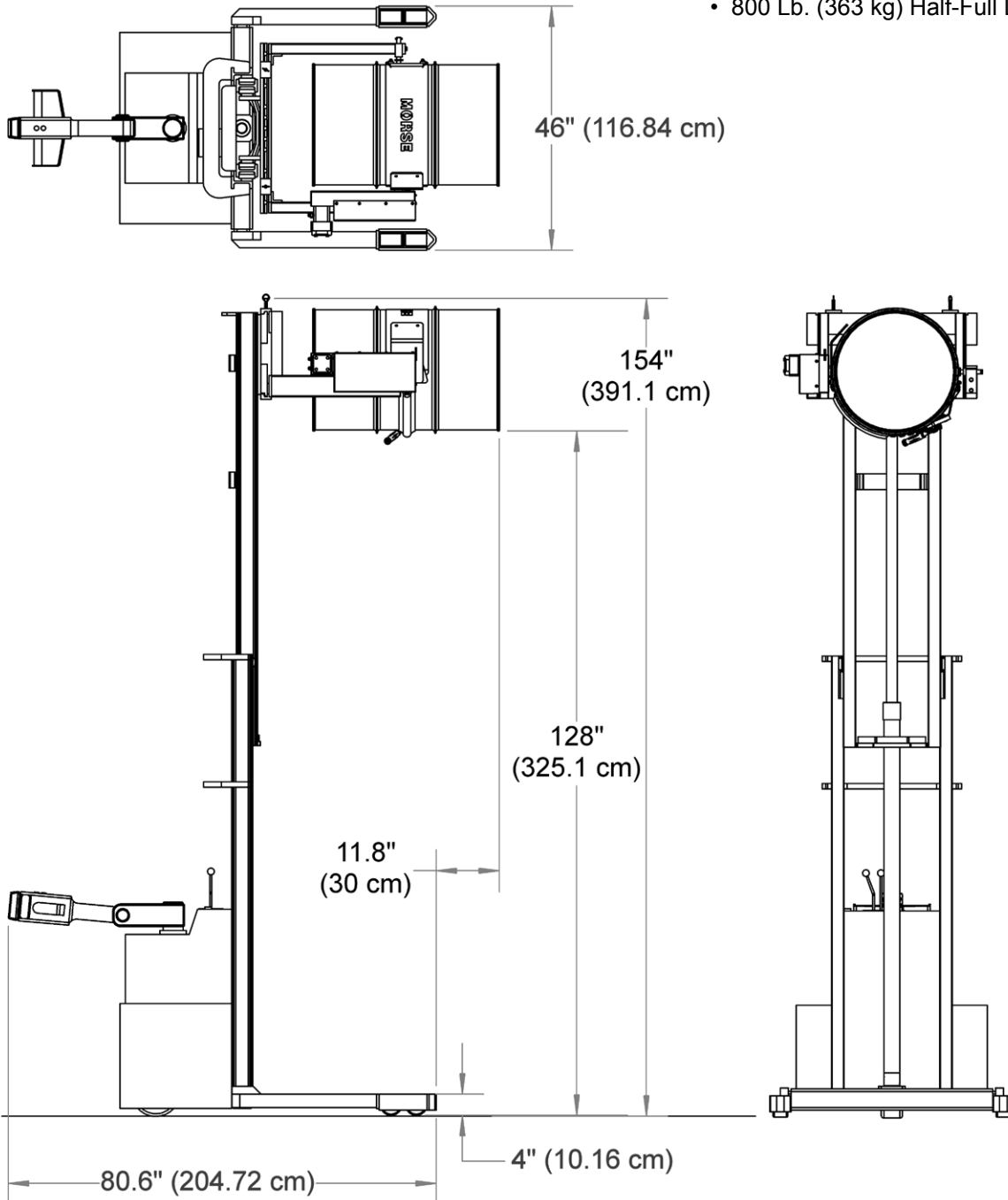
**Dimensions of Model 900 < PILOT > Power-Propelled Drum Pourer
with drum raised to maximum dispensing height**

Net Weight: 2230 Lb. (1012 kg)

Capacity

- 1500 Lb. (680 kg) Full Drum
- 800 Lb. (363 kg) Half-Full Drum *

MADE
IN
USA



* Half-full rating is an indication of capacity for tilting unbalanced, bottom-heavy drum. Partially full drum with unbalanced and shifting load is harder to tilt than full drum.

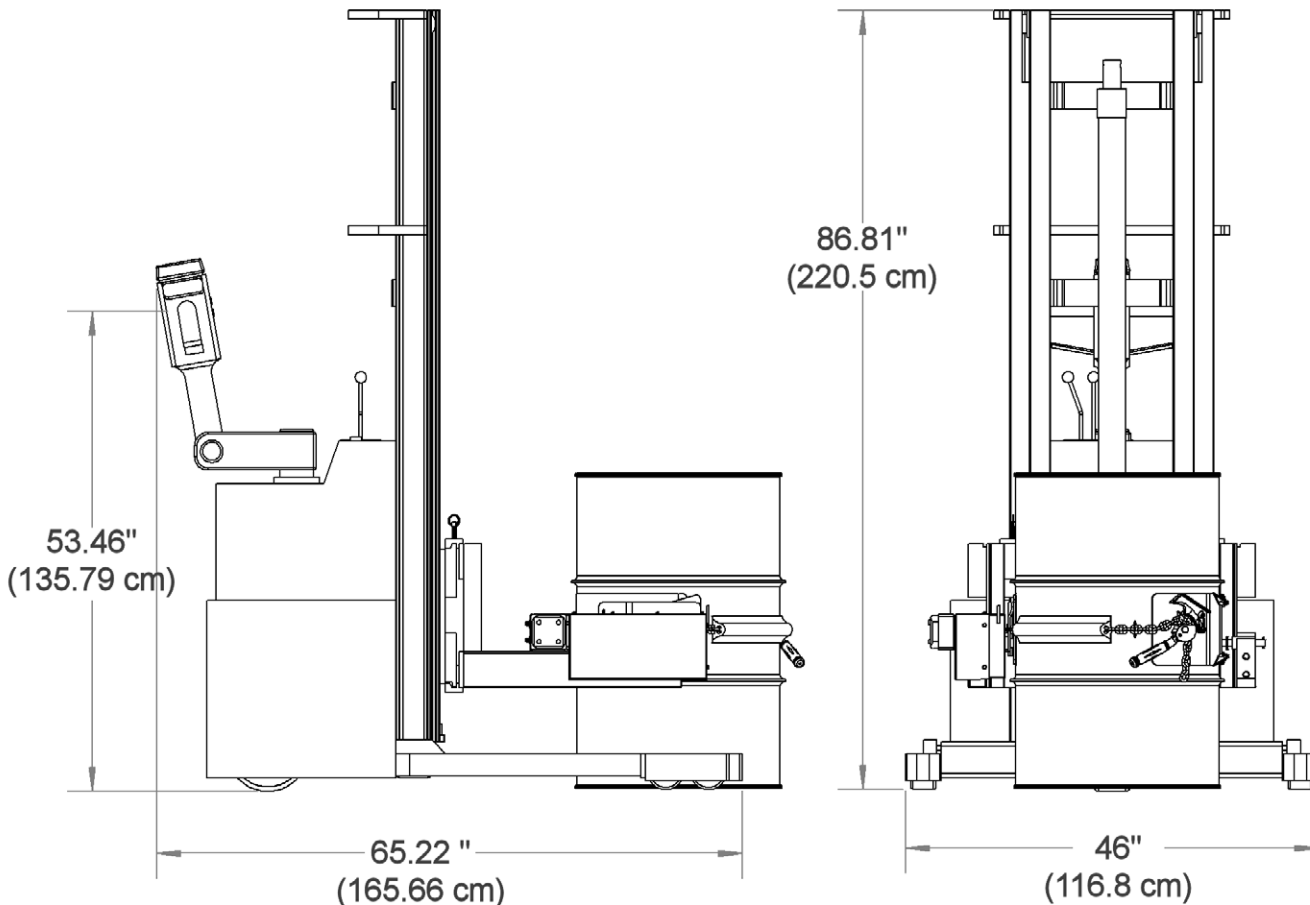
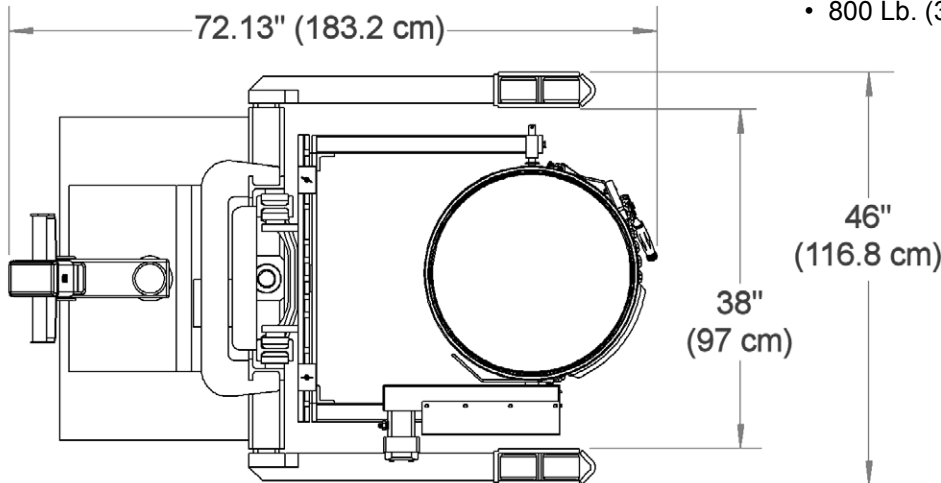
**Dimensions of Model 900 < PILOT > Power-Propelled Drum Pourer
with drum lowered to floor**

Net Weight: 2230 Lb. (1012 kg)

Capacity

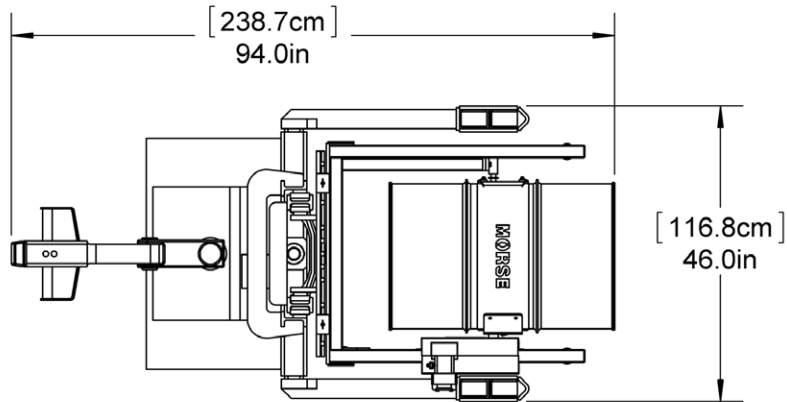
- 1500 Lb. (680 kg) Full Drum
- 800 Lb. (363 kg) Half-Full Drum *

MADE
IN
USA



* Half-full rating is an indication of capacity for tilting unbalanced, bottom-heavy drum. Partially full drum with unbalanced and shifting load is harder to tilt than full drum.

**Dimensions of Model 905 < PILOT > Scale-Equipped Power-Propelled Drum Pourer
with drum raised to maximum dispensing height**

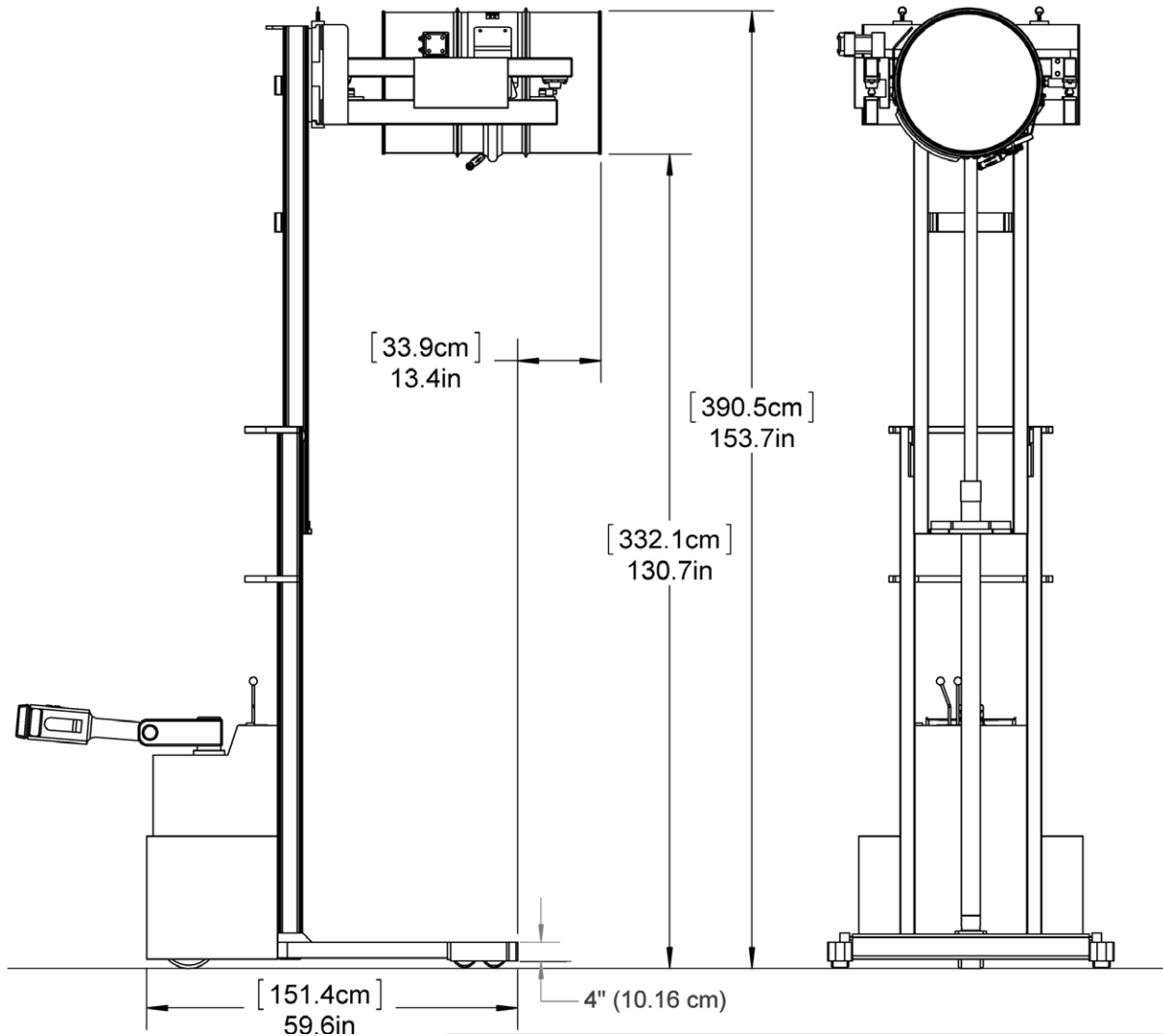


Net Weight: 2270 Lb. (1030 kg)

Capacity

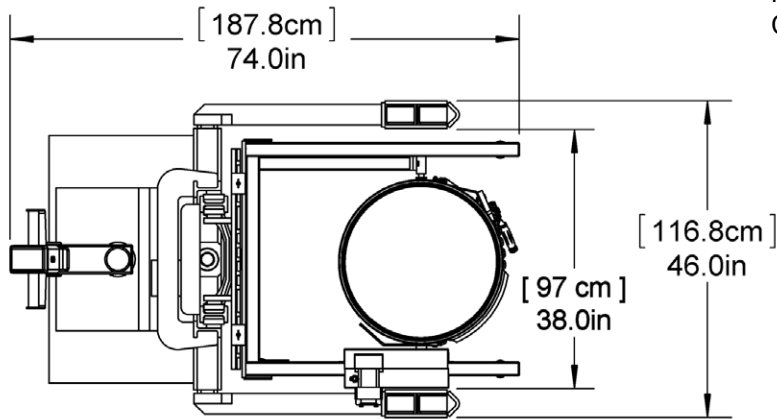
- 800 Lb. (363 kg) Full Drum
- 500 Lb. (kg) Half-Full Drum *

MADE
IN
USA



* Half-full rating is an indication of capacity for tilting unbalanced, bottom-heavy drum. Partially full drum with unbalanced and shifting load is harder to tilt than full drum.

**Dimensions of Model 905 < PILOT > Scale-Equipped Power-Propelled Drum Pourer
with drum lowered to floor**

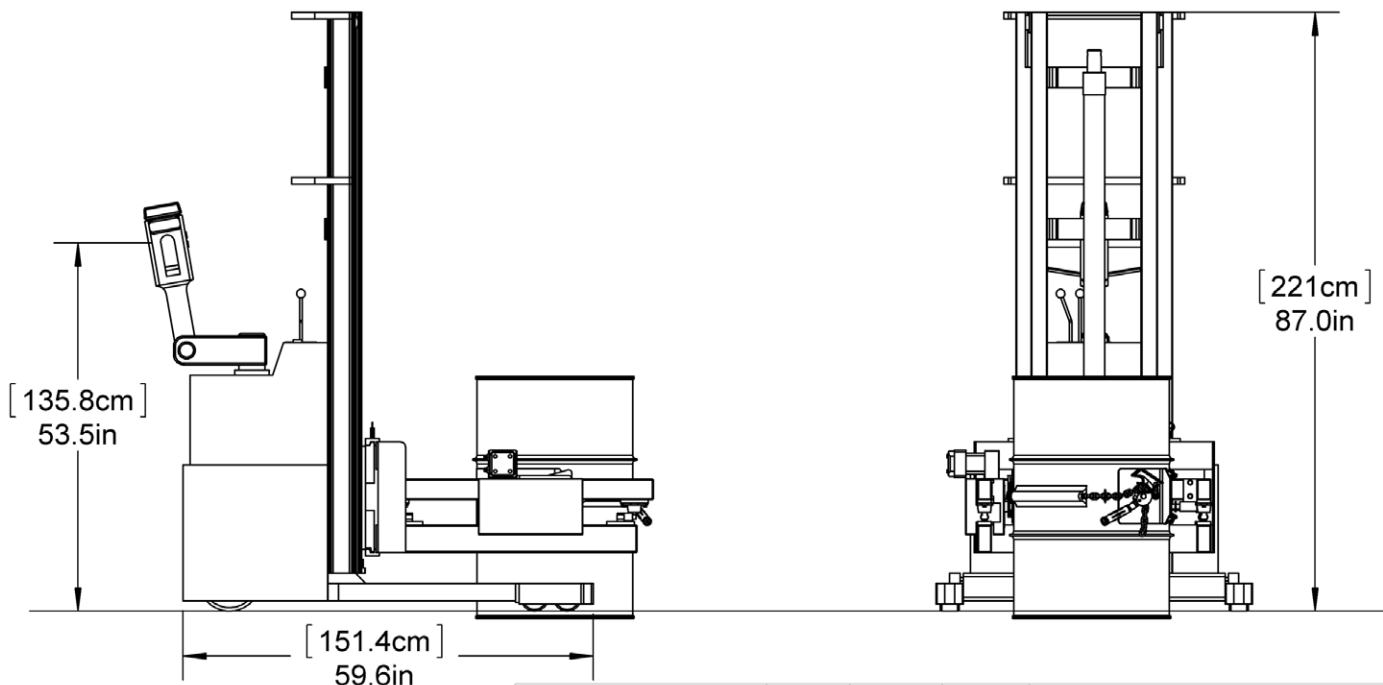


Net Weight: 2270 Lb. (1030 kg)

Capacity

- 800 Lb. (363 kg) Full Drum
- 500 Lb. (kg) Half-Full Drum *

MADE
IN
USA



* Half-full rating is an indication of capacity for tilting unbalanced, bottom-heavy drum. Partially full drum with unbalanced and shifting load is harder to tilt than full drum.