

**THE EVOLUTION OF DRUM HANDLING**

**Power-Propelled Walk-Behind Drum Handlers Improve Productivity**

**Morse Model # 915**  
**Power-Propelled < PILOT >**  
**MORSpeed™ Drum Mover / Stacker**

- **Lift and transport an upright drum up to 10 feet (3 m) high!**
- **Handle a 1500 Lb. (680 kg) drum**
- **Position drums in rack with virtually zero clearance between**
- **Power-Propelled Walk-Behind and Powered Drum Lift**
- **Rack a 55-Gallon (208 liter) steel or plastic drum with suitable top rim**

The safety conscious MORSpeed™ Drum Mover / Stacker, allows you to move drums on and off racks, pallets, trucks, etc.

The MORSpeed™ drum grabber is a proven, safety conscious way to handle drums. Lift and move almost any rimmed steel, fiber or plastic drum, regardless of diameter. It requires no manual contact with drum, utilizing a completely mechanical and automatic drum grab as you raise against the side of your drum. The mechanism automatically releases drum when you set it down on floor, shelf, pallet, etc.

Note: Requires a minimum drum height of 24" (61 cm), and minimum drum weight of 75 Lb. (34 kg) to activate the drum gripping mechanism.



Familiar Controls for propulsion and steering. Raise and Lower Buttons incorporated in handle.



Lift Control Handle

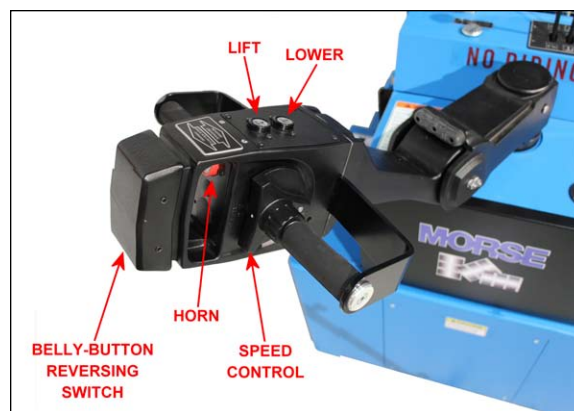
The Morse model # 915 < PILOT > MORSpeed™ Drum Mover / Stacker features intuitive, industry-standard throttle, steering and drum positioning controls...so you can put them online quickly.

Model #915 < PILOT > MORSpeed™ Drum Mover / Stacker is designed to lift a drum weighing up to 1500 Lb. (680 kg) at 25 ft/min (5 cm/sec).\*

Control the travel speed with ergonomic twist grip or thumb control. Maximum travel speed is 3.0 mph (4.8 km/hr) or 4.4 ft/sec (1.3 m/sec) with 1500 Lb. (680 kg) drum.\* Maneuver in narrow aisles with a turn radius of just 58" (147 cm) on smooth rubber rear drive wheel, and polyurethane front wheels.

Adjust straddle I.D. from 38" to 50" (96.5 to 127 cm), adjustable in 4" increments to work with various size pallets.

Moving steering control handle to top and bottom 15° of handle arc actuates brake proportional to handle movement, allowing operator complete control of braking from



"feathering" for accurate payload positioning through full emergency stop. When released, the handle returns to upright position and applies the brake.

Built-in safety systems include a proven "belly-button" switch, which helps prevent an operator being pinned between the < PILOT > and any other object. Upon body contact, the switch activates low speed in the opposite direction.

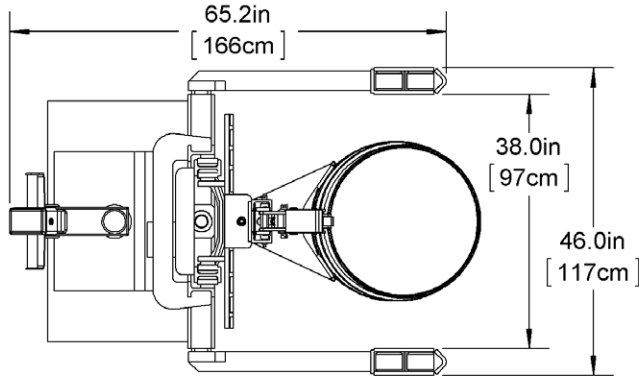
"Dead-man" braking occurs when spring loaded control handle is released, turning off electrical power and applying the brakes.

The internally mounted 24V battery has a built-in "smart" charger to provide amount of charge necessary. Simply plug into a standard 110V AC outlet with the included cord. The batteries can be fully charged from empty in about 8 hours.

\* Note: Lift and travel speeds will increase with lighter loads. For example, maximum travel speed with an empty drum is 3.6 mph with maximum lift speed of 39 ft/sec.

Model #	Description	Maximum Lift Height	Ship Weight	Ship Dimensions
915	< PILOT > Power-Propelled MORSpeed™ Drum Mover / Stacker	124" (316 cm)	2189 Lb. (993 kg)	L86" x W45" H87" (218 x 114 x 221 cm)

**Dimensions of Model 915 < PILOT > MORSpeed™ Power-Propelled Drum Mover / Stacker**



Net Weight: 2189 Lb. (993 kg)  
 Capacity: 1500 Lb. (680 kg)

MADE  
 IN  
 USA

