

Drum Tumbler with Automated Control Package

>> [Click to Watch Video](#) <<

Tilt-To-Load Drum Tumbler with Automated Control Package Installed by Morse Technician and Safety Enclosure

Automatically lifts your drum, rotates it for the time you set. . . .then returns it to upright at floor-level

A Tilt-To-Load Drum Tumbler with the advanced Automated Control Package installed by a Morse technician, it automatically lifts your drum, rotates for the time you set, and then returns it to upright position at floor-level for easy handling. The built-in safety interlock on the enclosure automatically shuts off the drum rotator when the gate is opened. Watch the video to see how it works.



Load your upright drum at floor level with a drum truck or drum lifter hoist attachment.

Set the desired time of drum rotation anywhere from a few seconds to 16 hours, push the start button, and walk away. You preset the tumbling speed from 5 to 20 RPM.

The enclosure has an integrated safety interlock, in accordance with OSHA requirements, so the machine automatically shuts off when the door is opened.



In case of any problem during operation, the tumbler can be interrupted by hitting the red emergency stop knob.

Outside post-to-post Dimensions:
L88" x W52" x H63.25"
(224 x 132 x 161 cm)

Tumble a steel, plastic or fiber drum from 29" to 37" (74 to 94 cm) tall, and from 18" to 23.5" (46 to 60 cm) in diameter.



Tilt-To-Load Drum Tumbler with Automated Control Package and Safety Enclosure

Install all Morse Rotators in accordance with OSHA requirements for enclosure and safety interlock, etc. so the rotator automatically turns off when enclosure door is opened. One way to accomplish this is with a Morse enclosure with safety interlock.

For OSHA compliance, see OSHA subpart O.1910.212(a)(4) "Barrels, containers, and drums. Revolving drums, barrels, and containers shall be guarded by an enclosure which is interlocked with the drive mechanism, so that the barrel, drum, or container cannot revolve unless the guard enclosure is in place."

Power connections and motor controls must comply with applicable codes.

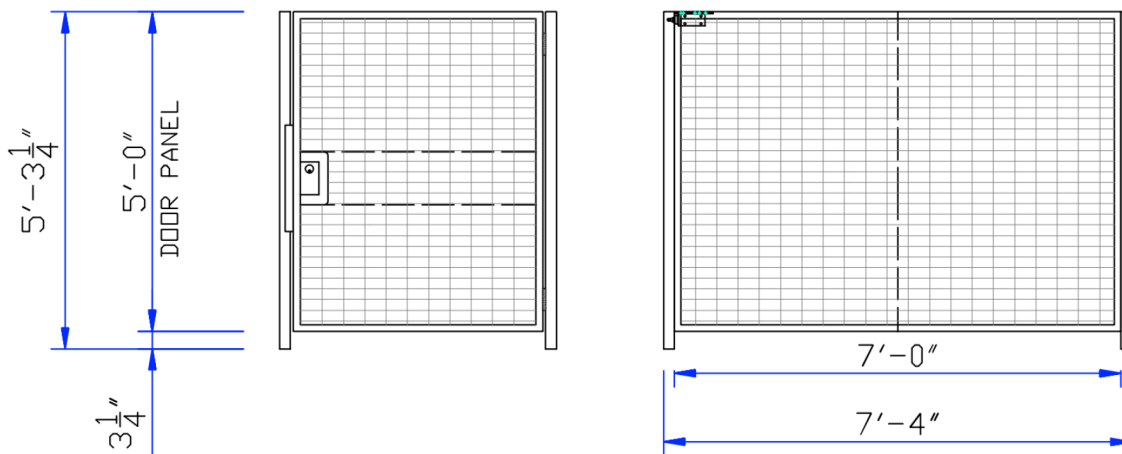
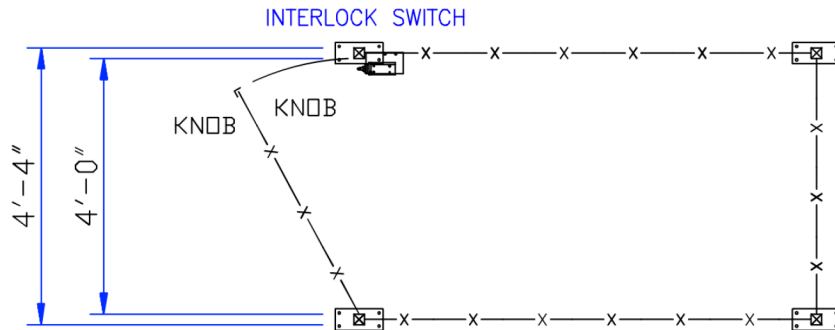
Model #	Ships in Two Parts			
	Drum Tumbler with Automatic Controls		Guard Enclosure Kit	
	Ship Weight	Ship Dimensions	Ship Weight	Ship Dimensions
311-1-115	1136 Lb. (516 kg)	L77" W62" H62" (196 x 157 x 157 cm)	400 Lb. (181 kg)	L101" W31" H66" (257 x 79 x 168 cm)
311-1-230	1136 Lb. (502 kg)	L77" W62" H62" (196 x 157 x 157 cm)	400 Lb. (181 kg)	L101" W31" H66" (257 x 79 x 168 cm)
311-3-230	1136 Lb. (516 kg)	L77" W62" H62" (196 x 157 x 157 cm)	400 Lb. (181 kg)	L101" W31" H66" (257 x 79 x 168 cm)
311-3-460	1136 Lb. (487 kg)	L77" W62" H62" (196 x 157 x 157 cm)	400 Lb. (181 kg)	L101" W31" H66" (257 x 79 x 168 cm)
311-3-575	1136 Lb. (516 kg)	L77" W62" H62" (196 x 157 x 157 cm)	400 Lb. (181 kg)	L101" W31" H66" (257 x 79 x 168 cm)
311-1-220-50	1136 Lb. (516 kg)	L77" W62" H62" (196 x 157 x 157 cm)	400 Lb. (181 kg)	L101" W31" H66" (257 x 79 x 168 cm)
311-3-220-50	1136 Lb. (516 kg)	L77" W62" H62" (196 x 157 x 157 cm)	400 Lb. (181 kg)	L101" W31" H66" (257 x 79 x 168 cm)
311-3-380-50	1136 Lb. (516 kg)	L77" W62" H62" (196 x 157 x 157 cm)	400 Lb. (181 kg)	L101" W31" H66" (257 x 79 x 168 cm)
311-3-440-50	1136 Lb. (516 kg)	L77" W62" H62" (196 x 157 x 157 cm)	400 Lb. (181 kg)	L101" W31" H66" (257 x 79 x 168 cm)

MADE
IN
USA

Safety Enclosure Dimensions

4' WIDE HINGE DOOR OPENING
 W/KNOB BOTH SIDES

MADE
 IN
 USA



Parts List			
Qty.	Width	Height	Description
1	4' 0" (123 cm)	5' 0" (152.4 cm)	Wire Mesh Panel
2	7' 0" (213 cm)	5' 0" (152.4 cm)	Wire Mesh Panel
1	3' 10-7/8" (119 cm)	5' 0" (152.4 cm)	Hinge Door
4	2" (5.1 cm)	5' 3.25" (161 cm)	Corner Post