



#### CAPACITY

2200 lbs. @ 24" Load Center

#### INTEGRAL BATTERY / CHARGER

24-volt maintenance free batteries with direct connect 110A 110VAC plug-in automatic charger.

#### SPEED

Curtis transistor travel controller

#### TRAVEL

Variable from 0 mph to 3.41 mph empty  
Variable from 0 mph to 2.5 mph loaded

#### LIFT

Up to 33.5 fpm empty.  
Up to 17.8 fpm loaded

#### LOWERING

Up to 17.5 fpm empty  
Up to 17.6 fpm loaded

#### WEIGHT

1125 lbs. with battery and charger

#### TIRES / WHEELS

DRIVE  
8.26" x 2.76" polyurethane  
STABILITY  
4" x 2" polyurethane  
DUAL LOAD  
(2) 4" x 2" polyurethane

#### HYDRAULICS

Lift cylinder is hard chrome. Permanent magnet pump motor and chrome plated lift cylinder provides smooth lifting and lowering. Pump unit includes DC motor, solenoid, and gear pump.

#### DRIVE

24-Volt permanent magnet DC drive motor with rare earth neodymium magnets increases efficiency and duty cycle.

#### ELECTRICAL

**Curtis** travel control provides smooth step less travel. Quick disconnect EPD power cut off and battery discharge indicator are standard equipment.



#### BRAKES

Electronic neutral braking function provides smooth and safe control. Electromagnetic disc brake provides safe and secure stops under all conditions.

#### TILLER ARM CONTROLS

Offset steering arm provides excellent line of sight for operators. Right angle stacking in aisles as narrow as 60".

Travel, lift, and lower functions are located in the ergonomic operator handle. All operator controls are accessible without having to lift the hand from the handle.

Angle grips are designed to allow easy operation with either hand. Wrap around guard, reversing switch, thumb control, and horn are standard. Low mounted tiller arm offers excellent operator comfort and minimum steering effort.

#### FRAME AND MAST

Unitized all steel construction for added durability.

S22-62R non-telescoping mono mast with single lifting chain, adjustable mast rollers. Chrome plated lift cylinder provides smooth lift/lower operation and long life.

Fully enclosed wheel guard and flush mounted axles prevent wheel and axle damage during normal use.

# S22-62R

## Powered Drive Forkover Stacker

FORK-OVER DESIGN OFFERS AN IDEAL WAY TO EFFICIENTLY HANDLE WIRE BASKETS, PLASTIC PALLETS, AND SKIDS. TRUCK OUTRIGGERS ARE POSITIONED UNDERNEATH THE FORKS

#### SERVICEABILITY

Removable one piece power head cover allows for easy maintenance.

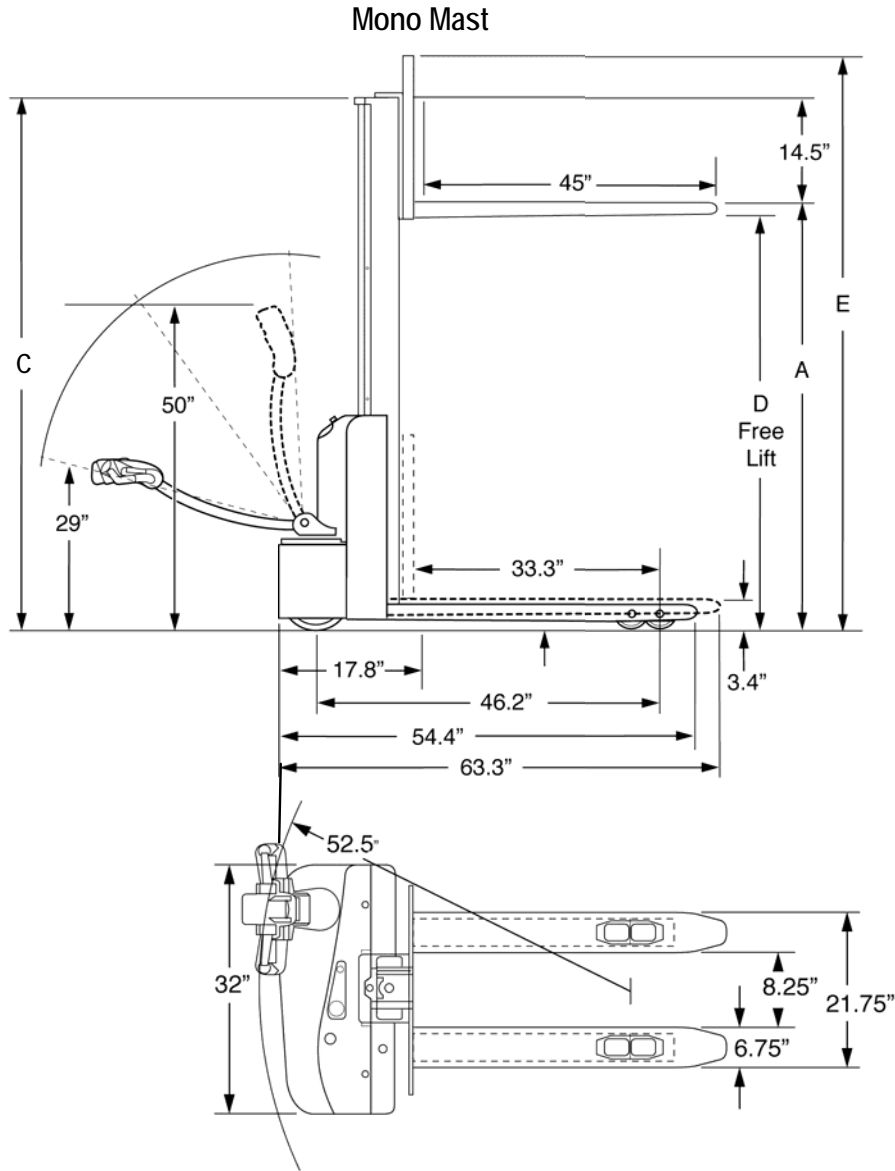
#### OPTIONAL BATTERY UPGRADE

- 85AH available on model S22-62
- Hand held remote lift & lower control box with 3' coiled cord

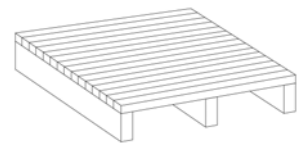


#### FORKOVER RIGID CARRIAGE

Forkover style forks are fixed on a rigid carriage and nest over the straddle legs. Standard fork is 45" long x 6.75" wide x 2.25" thick.



Skids, bins, and pallets without bottom boards are all loads that can be lifted by an S22 forklift



Pallet without Bottom Boards



4-Way Plastic Pallet



Skid

Model #	Mast	Lift Height	Col Height	Free Lift	Ext Height w/LBR	Fixed Straddle Legs		Weight Complete <sup>3</sup>
		A	C			ID	OD	
2200 Capacity @ 24" Load Center / Forkover - Rigid Fork Carriage								
S22-62R	Mono	62	78.5	55.1	78.3	10.0	19.9	1125

<sup>3</sup> Complete weight includes truck, battery and charger