



Distributed by:  
 Solution Dynamics Inc  
 PH: 877-860-3620  
 www.sodyinc.com

## ON-A-ROLL LIFTER® UNIVERSAL

The flat roll loading tray fits printers including AGFA Anapurna, Mira, Tauro and Titan models, as well as many roll-to-roll flatbed cutters. The tray easily fits into the side of the roll loading area, and multiple roll wedge mounting holes enable the operator to position the roll precisely for loading and unloading. The roll loading ramp may be removed to prevent interference with dancer bars and other elements of the printer frame. Using the safety straps, one operator can easily lift rolls as heavy as 660 lbs (300 kg) and as wide as 16 feet 5 inches (5 m). The removable ramp can be stored on the back of the upright frame when not in use.



### IMPORTANT FEATURES

- Thin flat roll tray fits inside the opening of most printers.
- Adjustable roll wedges and a removable roll ramp permit use with most printers and flatbed roll-to-roll cutters.
- Heavy rolls are handled easily, reducing the chance of on-the-job injuries.
- Rugged construction ensures long lifter life.
- One-person operation saves labor and time.

### MODEL 61580

Roll Weight Capacity.....	300 kg (660 lbs)
Max Lift Height.....	85 cm (33.5")
Max. Roll Width.....	5 m (16'5")
Max. Roll Diameter.....	40 cm (15.75")
Width x Depth.....	120 cm x 110 cm (47.25" x 43.3")
Height.....	120 cm (47.25")
Weight.....	120 kg (265 lbs)
Bottom Fork Clearance.....	2.5 cm (1")

2-year warranty on all wheels, hydraulics and media tray.  
 5-year warranty on cross bars.

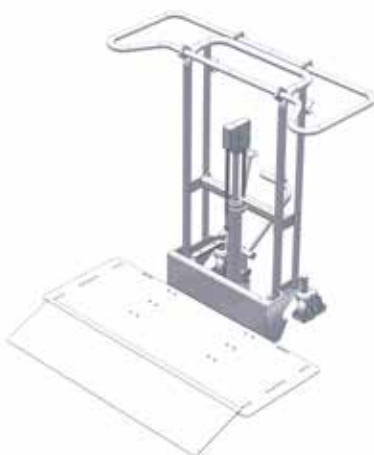
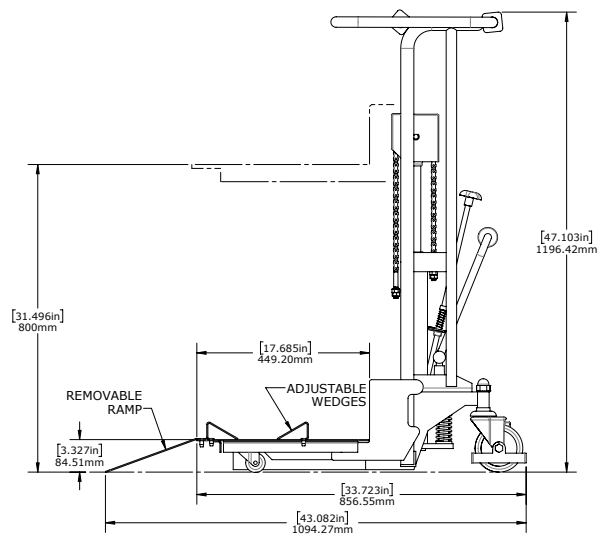
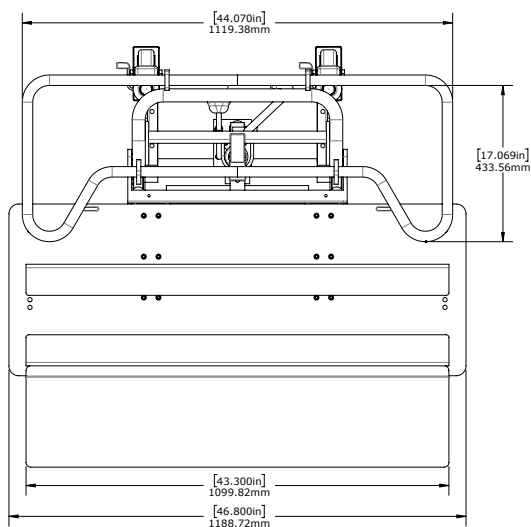


## ON-A-ROLL LIFTER® UNIVERSAL SPECIFICATIONS 61580

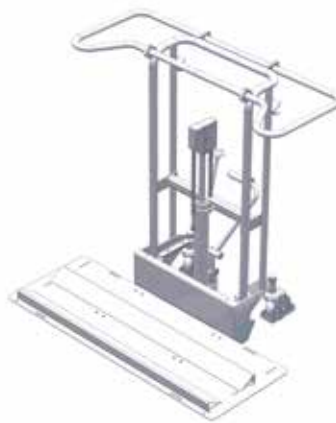
Use the drawings below and the specifications overleaf to ensure the On-a-Roll Lifter Universal is right for your shop.

THINGS TO CONSIDER: • Maximum lift height required • Maximum and minimum roll diameter  
• Will any obstructions prohibit moving the lifter close to the receiving machine?

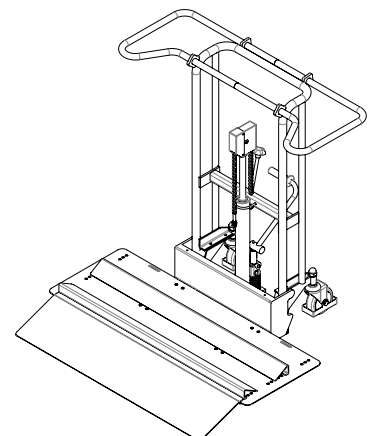
Still have questions? Call 877-860-3620



*Removable roll ramp permits easily loading rolls.*



*Roll wedges are easily adjusted to fit the roll and printer.*



*Ramp and roll wedges together.*

toll free (USA and Canada only) 877-860-3620 or 262-521-5730 • fax 262-521-5733

Solution Dynamics Inc • [www.sodyinc.com](http://www.sodyinc.com)