



PDC 30/40

Power Drive Counterbalanced Trucks

THIS SERIES REPRESENTS THE WALKIE LIFT TRUCK VERSION OF THE SIT-DOWN RIDER LIFT TRUCK. IDEAL CHOICE WHEN HANDLING OR STAGING A VARIETY OF LOAD SIZES.

CAPACITY

3000 lbs. to 4000 lbs. 24" load center

BATTERY

Compartment: 30.87" x 13.18" x open or 31.4" x 11.1" x open, A-15, SB-175 gray connector

PERFORMANCE

24-volt transistor travel controller

TRAVEL

From 0 mph to 3.0 mph empty
From 0 mph to 2.8 mph loaded

LIFT

Up to 42 fpm empty
Up to 22 fpm loaded

LOWERING

Up to 28 fpm empty
Up to 56 fpm loaded

DUAL TILT CYLINDERS

3° forward 9° back

CLASS II ITA FORKS

PDC-30: 36", 42" 48" x 4" x 1.5" thick
PDC-40: 36", 42" 48" x 4" x 1.75" thick

TIRES

DRIVE WHEEL

10.5" x 5" crowned polyurethane

LOAD WHEELS

5" x 5" polyurethane

CONTROL HANDLE "All Steel"

Designed to allow smooth operation with either hand. Protective wraparound hand guard, rubber hand grips, horn, "Belly Button" reversing switch, thumb and twist grip travel control are all standard.

HYDRAULICS

The dashboard mounted lift and lower lever allow uncomplicated and precise load placement. Infinitely variable ball-type lowering valve provides a full range of lowering speeds for optimum control. Premium design lift cylinder provides smooth lifting and lowering. Pressure compensating flow control valve at base of lift cylinder regulates lowering speeds.



ELECTRICAL

All cables and wires are color coded and or numbered for easy service and tracing. Control circuits are fuse-protected, and use plug-in type connector.

Curtis® travel controller provides infinitely variable travel speeds with efficient use of battery power.

Hydraulic lift pump motor is specially designed for peak electrical efficiency at specific torque and rpm levels.

DRIVE SYSTEM and BRAKES

Compact, open frame 24V DC drive motor provides ample torque and RPM at low current and temperature levels.

Direct drive full oil bath transmission, operates through a 25:1 transmission ratio to multiple the braking force for safe stopping performance.

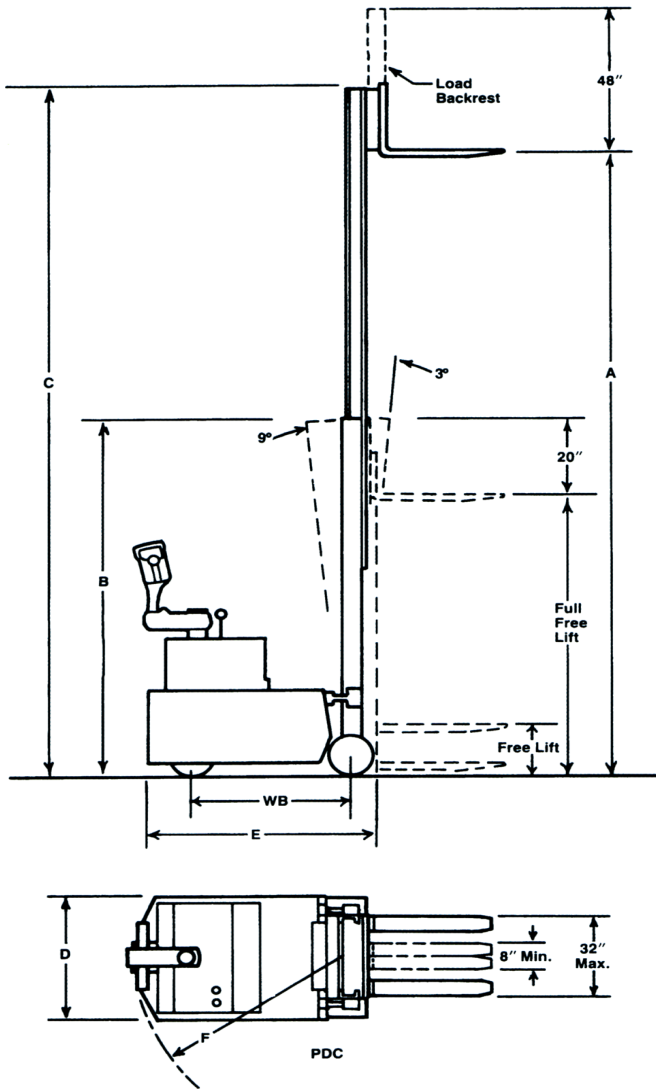
The drive motor, transmission, brake and drive wheel are coupled to the control arm via pivot tube that provides the operator direct control of all drive functions.

ACCESSIBILITY

Removal of one piece power head cover exposes major components for inspection and maintenance.

OPTIONAL EQUIPMENT

- Hour meter
- Battery discharge indicator (BDI)
- Key switch
- Lift lock out
- Remote lift/lower buttons in handle
- Remote lift and lower control box
- 36", 42" or 48" wide fork carriage
- Cold conditioning
- Side shifting fork carriage



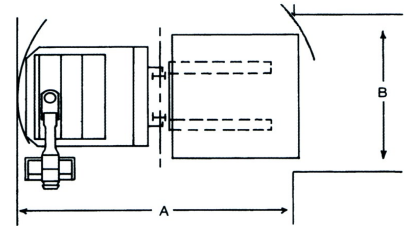
Right Angle Stacking Requirements

Aisle Dimensions

A = Aisle B = Bay

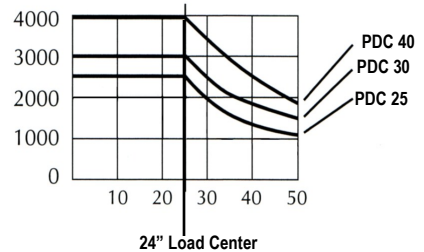
Model Number	Truck Length	Load Size					
		36" x 36"		42" x 42"		48" x 48"	
		B	A	B	A	B	A
PDC-25	61"	42"	98"	48"	104"	54"	110"
PDC-30	67"	42"	104"	48"	110"	54"	116"
PDC-40	73"	42"	110"	48"	116"	54"	122"

- Aisle dimensions listed have zero clearance
- Add 12" for ease of use



Load Capacity Chart

154" Maximum Lift Height



Model #	Capacity at 24" Load Center	Lift Height	Col Height	² Ext Height	² Free Lift Height	Overall Width	Power Head Length	Turn Radius	CL LOAD WHEEL TO CL DRIVE WHEEL WB	Battery 24V	Charger 24V	³ Ship Weight
		A	B	C	D							
PDC 30 Series												
PDC-30-60 Non-Tel	3000	60	77	80	57	36	67.4	59.8	49.3	340 AH (721 lbs.)	40 Amp (60 lbs)	7025
PDC-30-106	3000	106	71	123	12	36	67.4	59.8	49.3			4370
PDC-30-130	3000	130	83	147	12	36	67.4	59.8	49.3			4675
PDC-30-154	3000	154	95	171	12	36	67.4	59.8	49.3			4703
PDC-30-168	3000	168	102	185	12	36	67.4	59.8	49.3			4780
PDC-30-158 TriMast™	3000	158	71.75	178	51	36	67.5	59.8	49.3			4780
PDC-30-194 TriMast™	3000	194	83.75	214	63	36	67.5	59.8	49.3	4910		
PDC 40 Series												
PDC-40-60 Non-Tel	4000	60	78	80	57	36	73.30	65.7	55.3	510 AH (1042 lbs.)	75 Amp (90 lbs)	5238
PDC-40-106	4000	106	72	123	12	36	73.30	65.7	55.3			5688
PDC-40-130	4000	130	84	147	12	36	73.30	65.7	55.3			5808
PDC-40-154	4000	154	96	171	12	36	73.30	65.7	55.3			5928
PDC-40-168	4000	168	103	185	12	36	73.30	65.7	55.3			6048
PDC-40-158 TriMast™	4000	158	71.75	178	51	36	73.50	65.7	55.3			5980
PDC-40-194 TriMast™	4000	194	83.75	214	63	36	73.50	65.7	55.3	6100		

² Add 31" for 48" tall load backrest

³ Estimated shipping weight without battery