

GS-07F-0370U
CCR: 4BFN4
Tax ID: 20-2807145
DUNS: 600809656
Email: Jackie@sodyinc.com

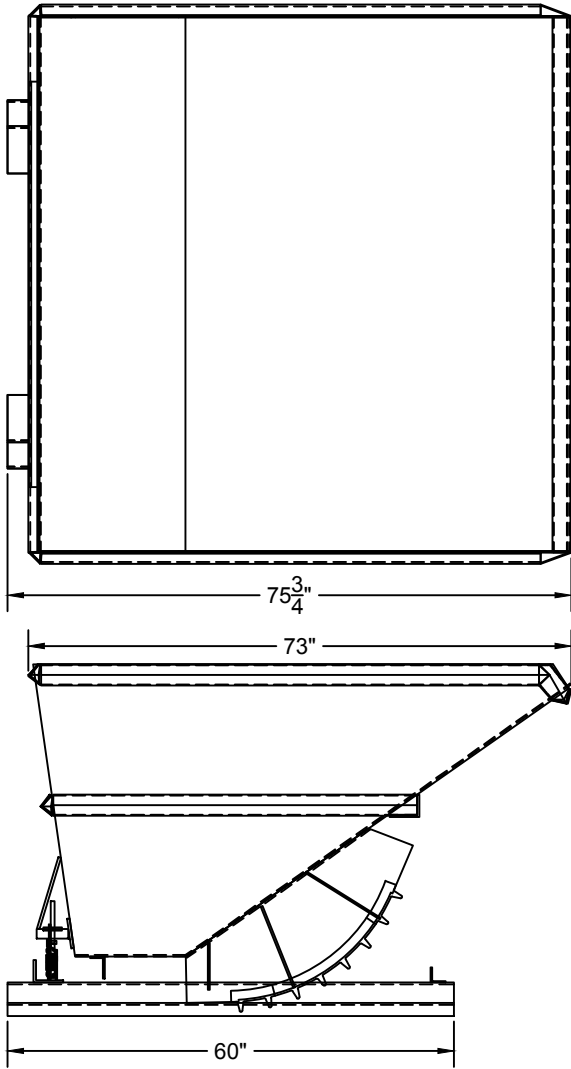
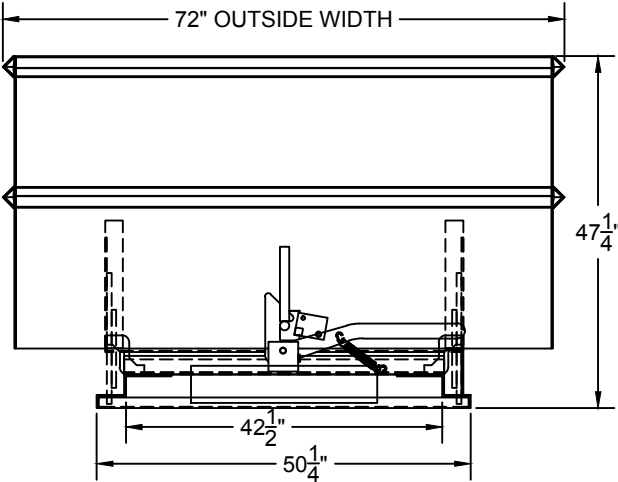
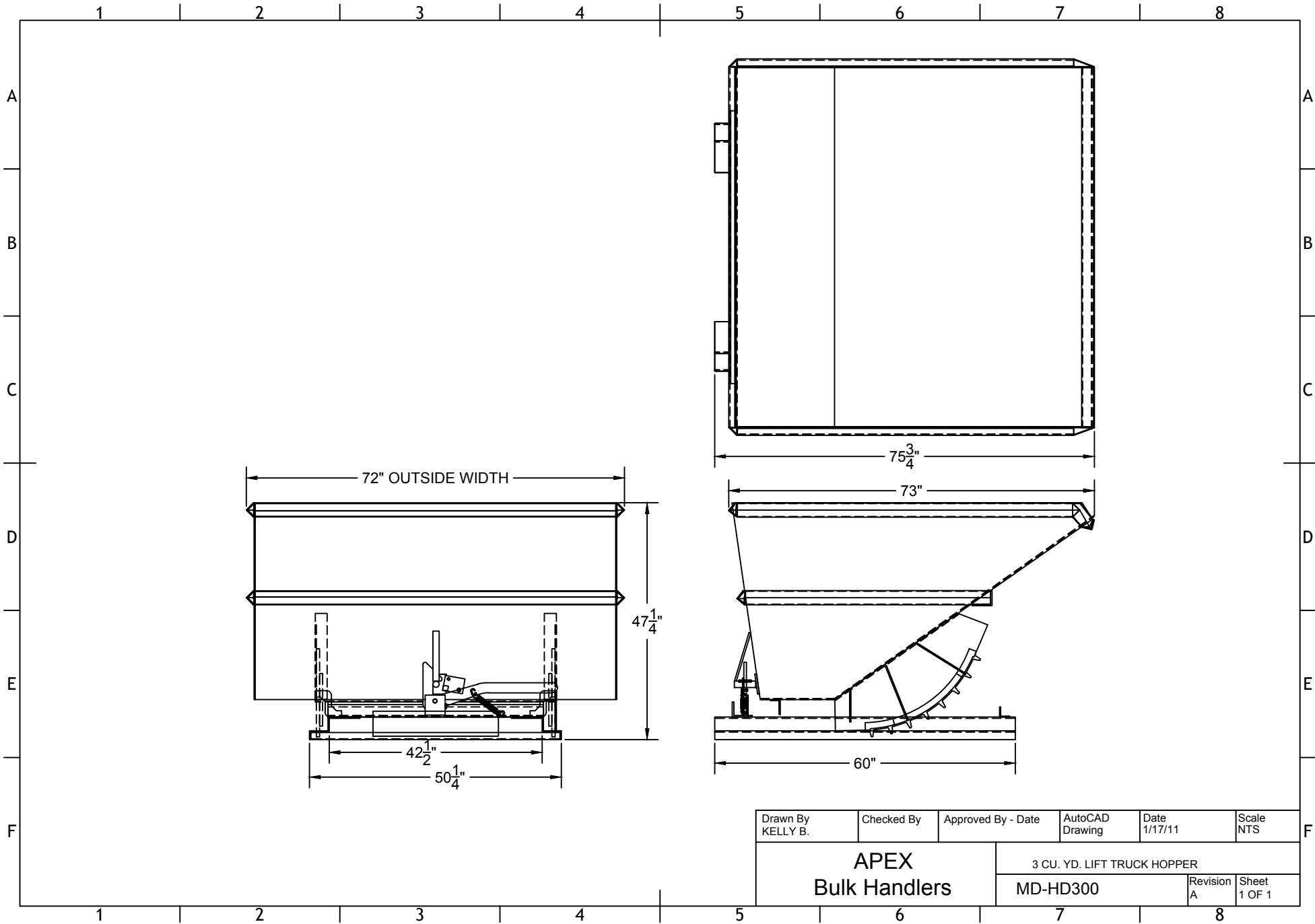


PO Box 866
Brookfield WI 53008
PH: 262-521-5730
FX: 262-521-5733

Apex 3 Cu. Yd. Med Duty Self Dumping Hopper

- **Model: MD300**
- **Capacity: 3,500 lbs**
- **Overall length: 75.75"**
- **Overall height: 47.25"**
- **Overall Width: 75.5"**
- **10 Gauge bucket**
- **7 Gauge base**
- **Standard color: Yellow**
- **Fork pocket base**





Drawn By KELLY B.	Checked By	Approved By - Date	AutoCAD Drawing	Date 1/17/11	Scale NTS
APEX Bulk Handlers			3 CU. YD. LIFT TRUCK HOPPER		
			MD-HD300	Revision A	Sheet 1 OF 1