

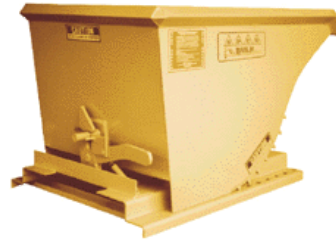
GS-07F-0370U
CCR: 4BFN4
Tax ID: 20-2807145
DUNS: 600809656
Email: Jackie@sodyinc.com

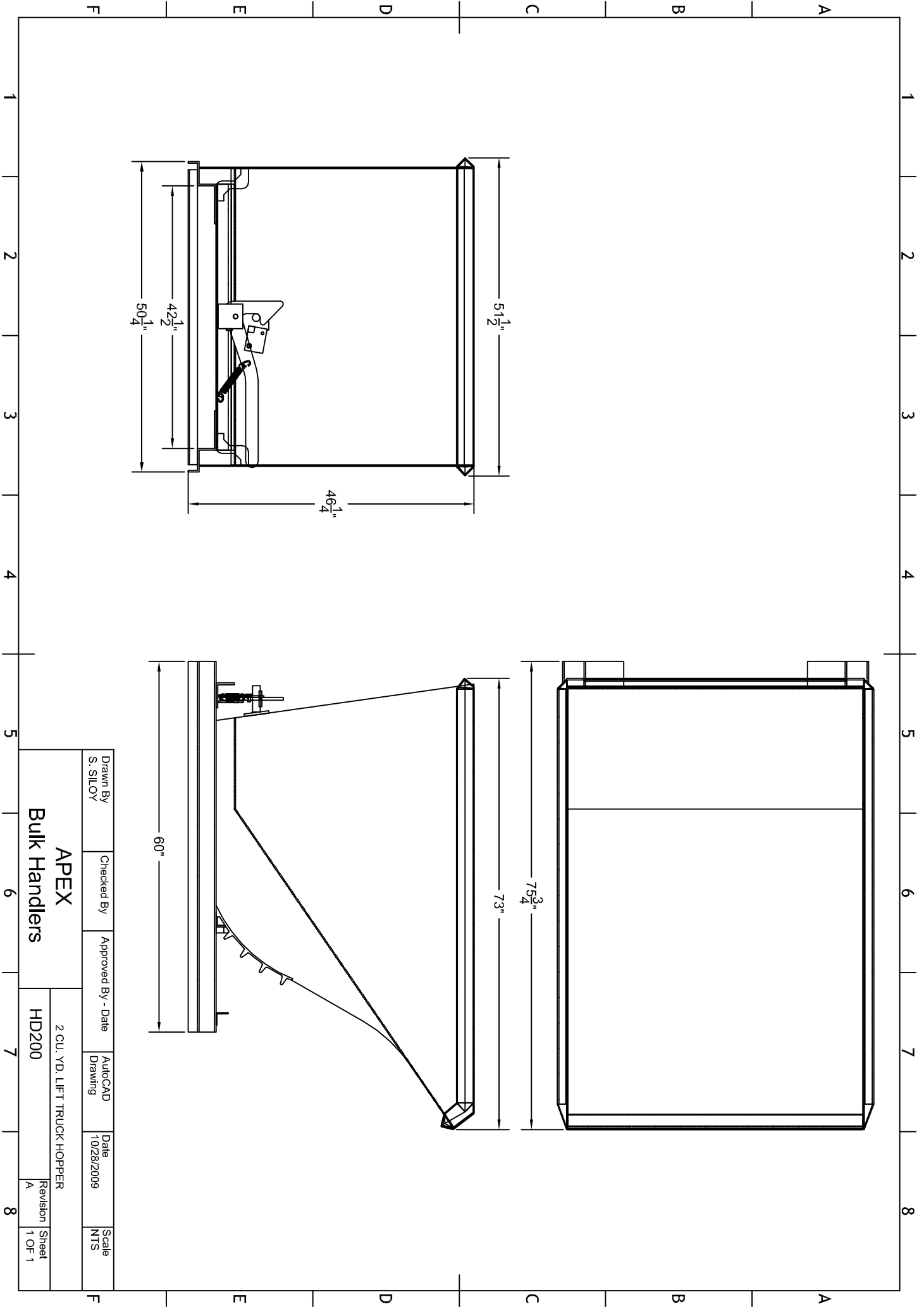
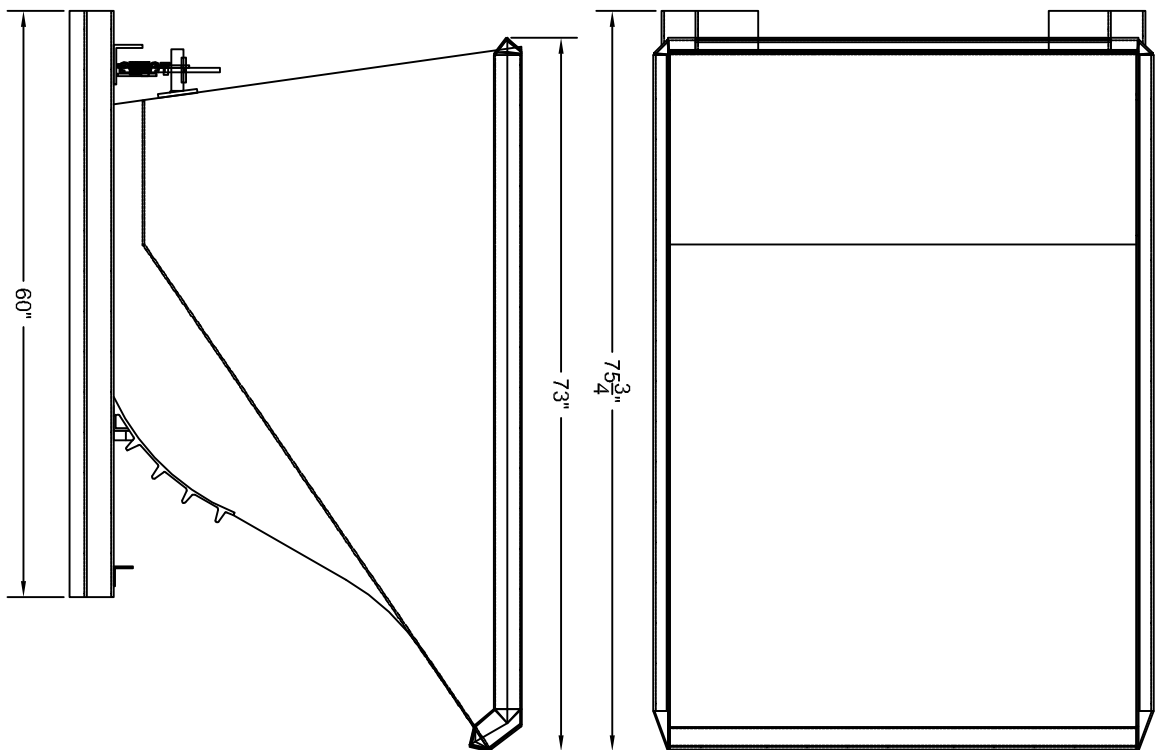
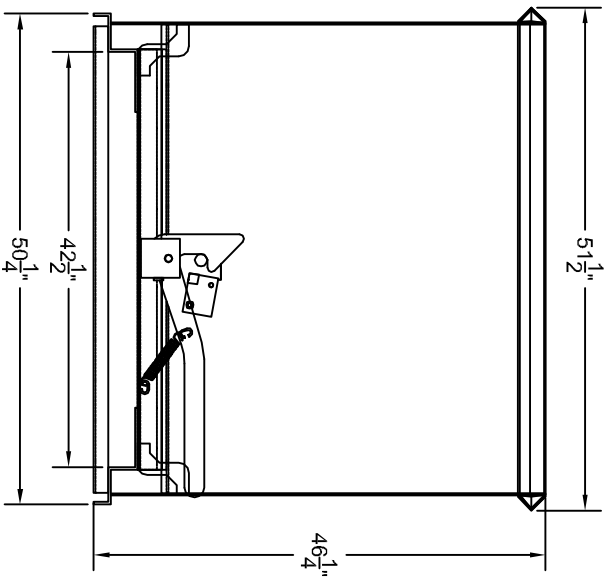


PO Box 866
Brookfield WI 53008
PH: 262-521-5730
FX: 262-521-5733

Apex 2 Cu. Yd. Med Duty Self Dumping Hopper

- **Model: MD200**
- **Capacity: 3,500 lbs**
- **Overall length: 75.75"**
- **Overall height: 46.25"**
- **Overall Width: 51.5"**
- **10 Gauge bucket**
- **7 Gauge base**
- **Standard color: Yellow**
- **Fork pocket base**





Drawn By S. SILOY	Checked By	Approved By - Date	AutocAD Drawing	Date 10/28/2009	Scale NTS
APEX					
Bulk Handlers					
2 CU. YD. LEFT TRUCK HOPPER					
HD200					
			Revision A		Sheet 1 OF 1