

GS-07F-0370U  
CCR: 4BFN4  
Tax ID: 20-2807145  
DUNS: 600809656  
Email: Jackie@sodyinc.com

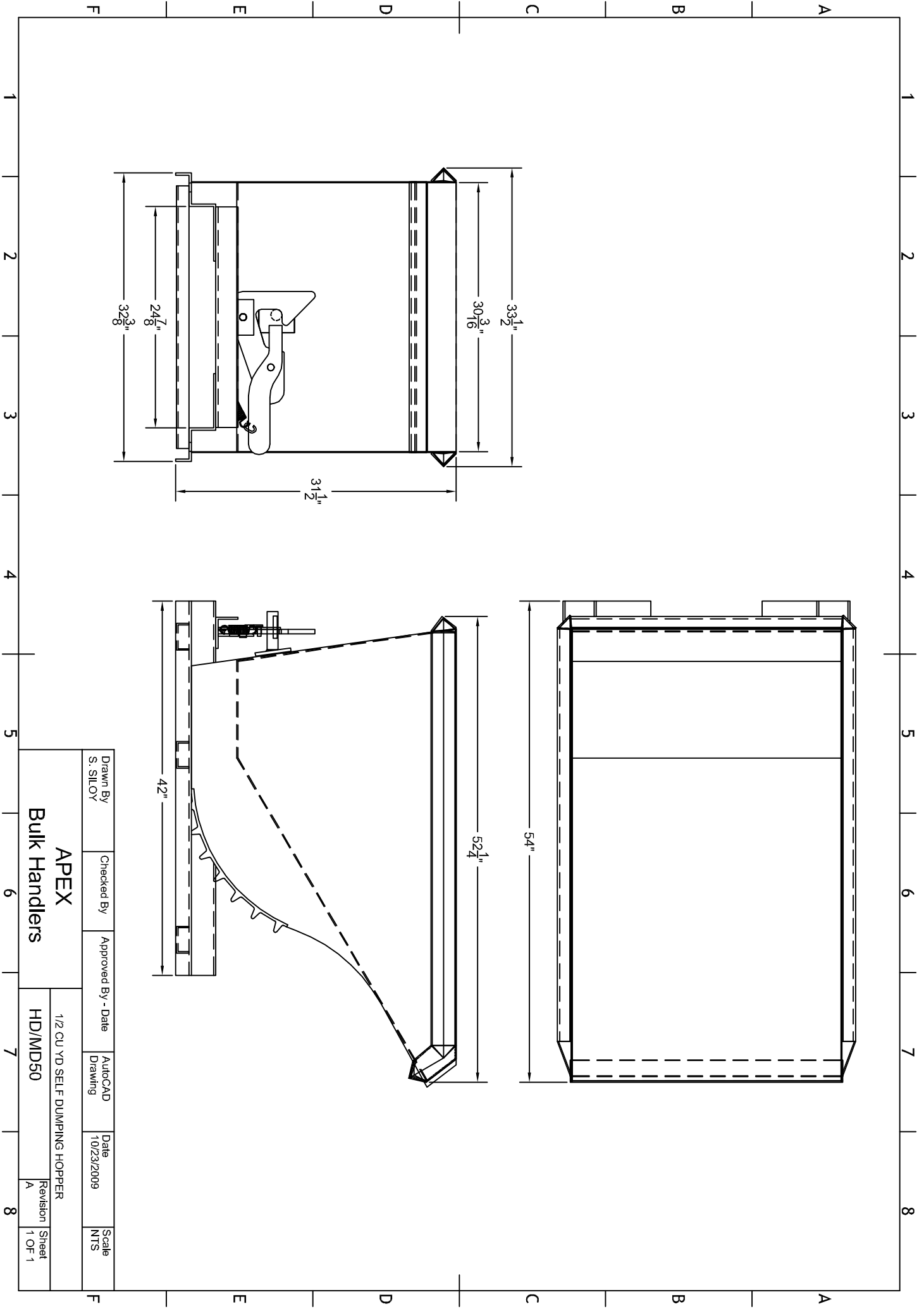
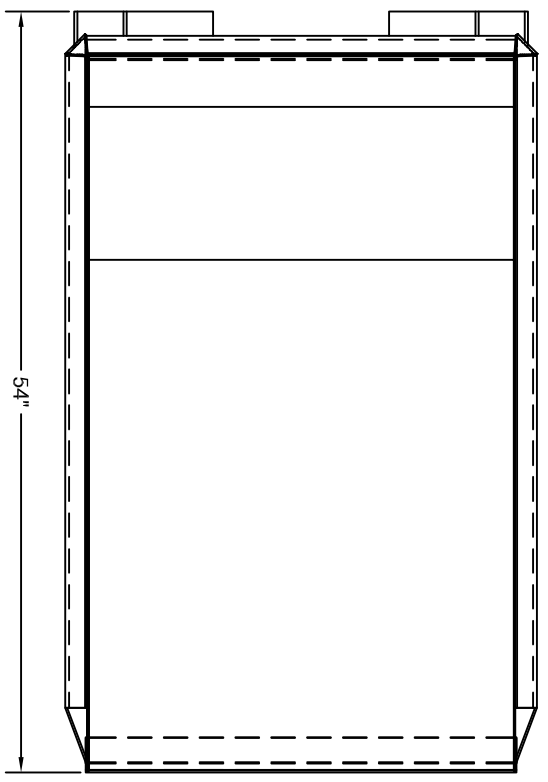
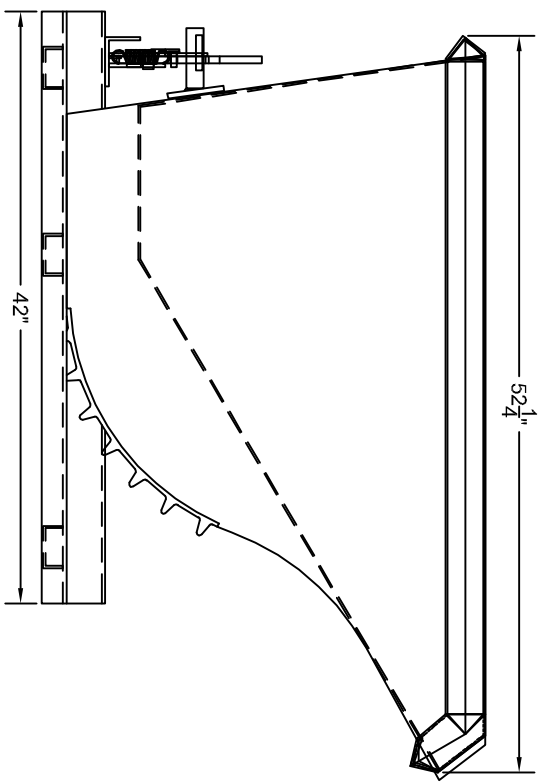
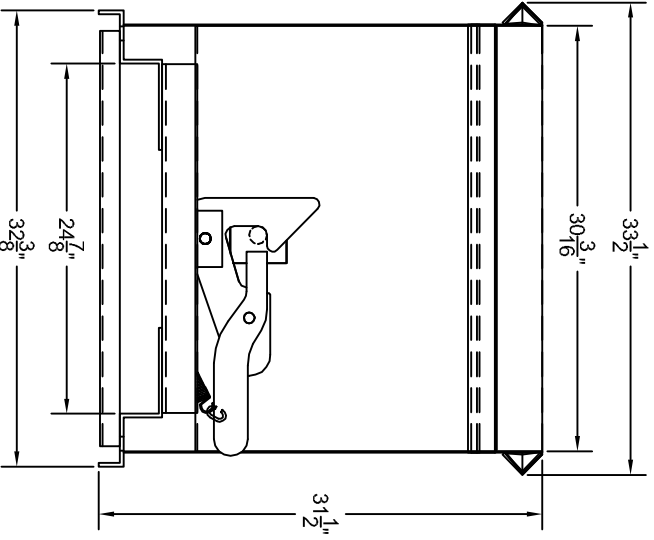


PO Box 866  
Brookfield WI 53008  
PH: 262-521-5730  
FX: 262-521-5733

## Apex 1/2 Cu. Yd. Heavy Duty Self Dumping Hopper

- **Model: HD50**
- **Capacity: 4,000 lbs**
- **Overall length: 54"**
- **Overall height: 31.5"**
- **Overall Width: 33.5"**
- **7 Gauge bucket**
- **1/4" steel base**
- **Standard color: Yellow**
- **Fork pocket base**





|                               |            |                    |                    |                    |                 |
|-------------------------------|------------|--------------------|--------------------|--------------------|-----------------|
| Drawn By<br>S. SILOY          | Checked By | Approved By - Date | AutoCAD<br>Drawing | Date<br>10/23/2009 | Scale<br>NTS    |
| <b>APEX</b>                   |            |                    |                    |                    |                 |
| <b>Bulk Handlers</b>          |            |                    |                    |                    |                 |
| 1/2 CU YD SELF-DUMPING HOPPER |            |                    |                    |                    |                 |
| HD/MD50                       |            |                    |                    |                    |                 |
|                               |            |                    | Revision<br>A      |                    | Sheet<br>1 OF 1 |